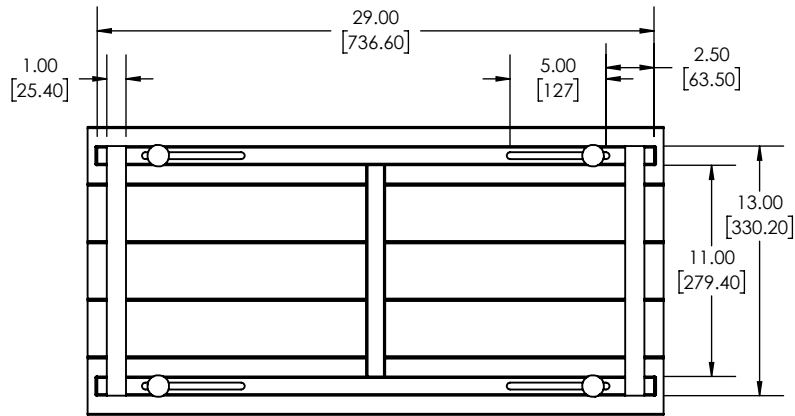
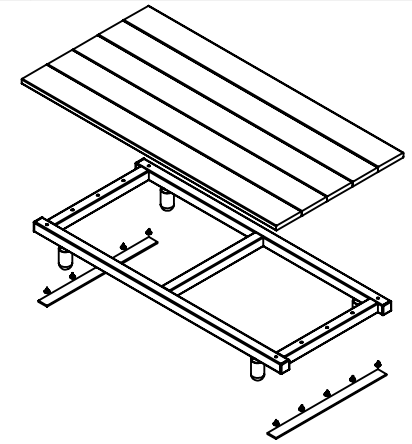
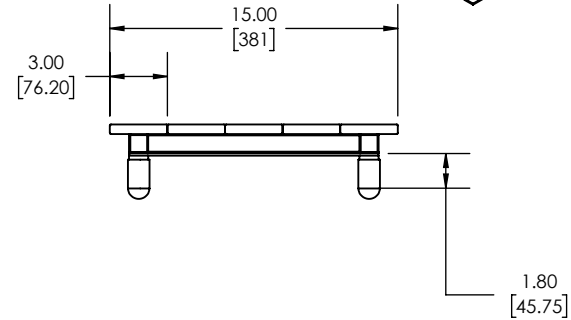
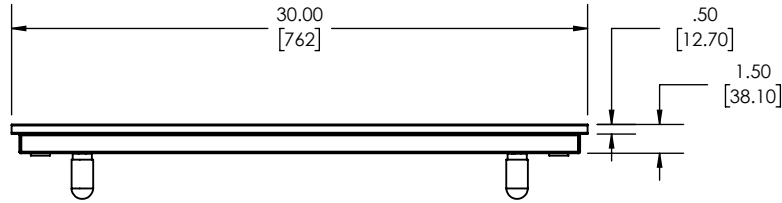


**NOTES:**

1. PART GEOMETRY IS DEFINED BY CAD MODEL PROVIDED BY ENGINEERING.
2. AESTHETIC DIMENSIONS SHALL NOT AFFECT FIT AND FUNCTION OF PART.
3. DIMENSIONS IN BRACKETS [ ] ARE MILLIMETERS AND FOR REFERENCE ONLY.



**Proprietary & Confidential**

This drawing and the information contained herein is the property of Seachrome Corporation and shall not be reproduced, copied, or disclosed in whole or in part, or used in manufacturing, or for any other purpose without the written permission of Seachrome Corporation.

INTERPRET GEOMETRIC TOLERANCING PER: ASME Y14.5-2009  
 UNLESS OTHERWISE SPECIFIED:  
 DIMENSIONS ARE IN INCHES [MM]  
 TOLERANCES: DECIMALS  
 FRACTIONAL ±1/64 .X ±0.1  
 ANGLES ±1° .XX ±0.01  
 BEND ±1° .XXX ±0.005  
 (XX) DENOTES CRITICAL DIMENSION  
 ALL THREADS ARE CRITICAL  
 REMOVE ALL BURRS & SHARP EDGES  
 MATERIAL Material <not specified>  
 FINISH SEE NOTE

|                   |           |          |
|-------------------|-----------|----------|
| TESTING           | -----     | -----    |
| ASSEMBLY          | -----     | -----    |
| POLISHING         | -----     | -----    |
| MACHINING         | -----     | -----    |
| TOOLING FIXTURE # | -----     | -----    |
| NEXT ASSY         |           | USED ON  |
| APPLICATION       |           |          |
| DRAWN             | E. BARBER | 09/10/21 |
| CHECKED           | J. AMOZOC | 09/10/21 |
| ENG APPR.         | J. AMOZOC | 09/10/21 |
| MFG APPR.         | R. CANO   | 09/10/21 |
| Q.A.              | -----     | XX/XX/XX |



1906 EAST DOMINGUEZ  
 LONG BEACH, CA 90810  
 (310) 427-8010

CORPORATION

|                      |                 |  |  |
|----------------------|-----------------|--|--|
| TITLE:               |                 | REMOVABLE TUB SEAT, 30" X 15" ADJUSTABLE POSTS |  |
| DWG. NO.             | STSB-300150-TWA | REV B  |  |
| DO NOT SCALE DRAWING | SIZE A          | SCALE: 1:10 SHEET 1 OF 1                       |  |

|      |     |                     |          |          |
|------|-----|---------------------|----------|----------|
| ZONE | REV | ECN NO./DESCRIPTION | DATE     | APPROVED |
| -    | A   | RELEASED            | 09/10/21 | E.B.     |
| B    |     | HARDWARE FROM UNDER | 05/12/22 | E.B.     |

|                   |       |
|-------------------|-------|
| TESTING           | ----- |
| ASSEMBLY          | ----- |
| POLISHING         | ----- |
| MACHINING         | ----- |
| TOOLING FIXTURE # | ----- |

4

3

2

1