

SEACHROME

Seachrome Corporation
1906 East Dominguez Street
Long Beach, California 90810
Phone: (800) 955-2476
Fax: (800) 444-3380

Description:

STR1-290165-Phenolic
29" x 16-1/2" Tub Seat
(Rear Mount)

Customer:

Customer Part #

02-15-2024

SHOWER SEAT
MODEL #STR1-290165-Phenolic
(Rear Mount Seat)
(One-Piece Phenolic)

OPERATION:

Seat is automatically held in a raised position by a stainless Hinge Bracket attached to the rear of the Tub Seat. When the seat is lowered into its down position the Seat must rest securely on the tub dam for support.

ARCHITECTURAL SPECIFICATIONS:

Model #STE1-290165 Wall Hung Shower Seat from Seachrome Corp., Long Beach, California 90810. Phone: (800) 955-2476. Frame: Type 304 (18-8) S.S. tube, 1" (25mm) x 18ga. (1.2mm) sq. main frame with 1" (25mm) x 18ga. (1.2mm) sq. cross members.

MATERIALS:

FRAME: Type 304 (18-8) S.S. tubing, 1" (25mm) x 18ga. (1.2mm) sq. main frame with 1" (25mm) x 18ga. (1.2mm) sq. cross-members.
WALL BRACKETS (2): Type 304 (18-8) S.S., 10ga. (3.4mm) x 2" (51mm) wide x 3.5" (88.9mm) long, heliarc welded to 1" (25mm) rd. x 18ga (1.2mm) Constant Friction Hinge. Three Mounting holes in each bracket.

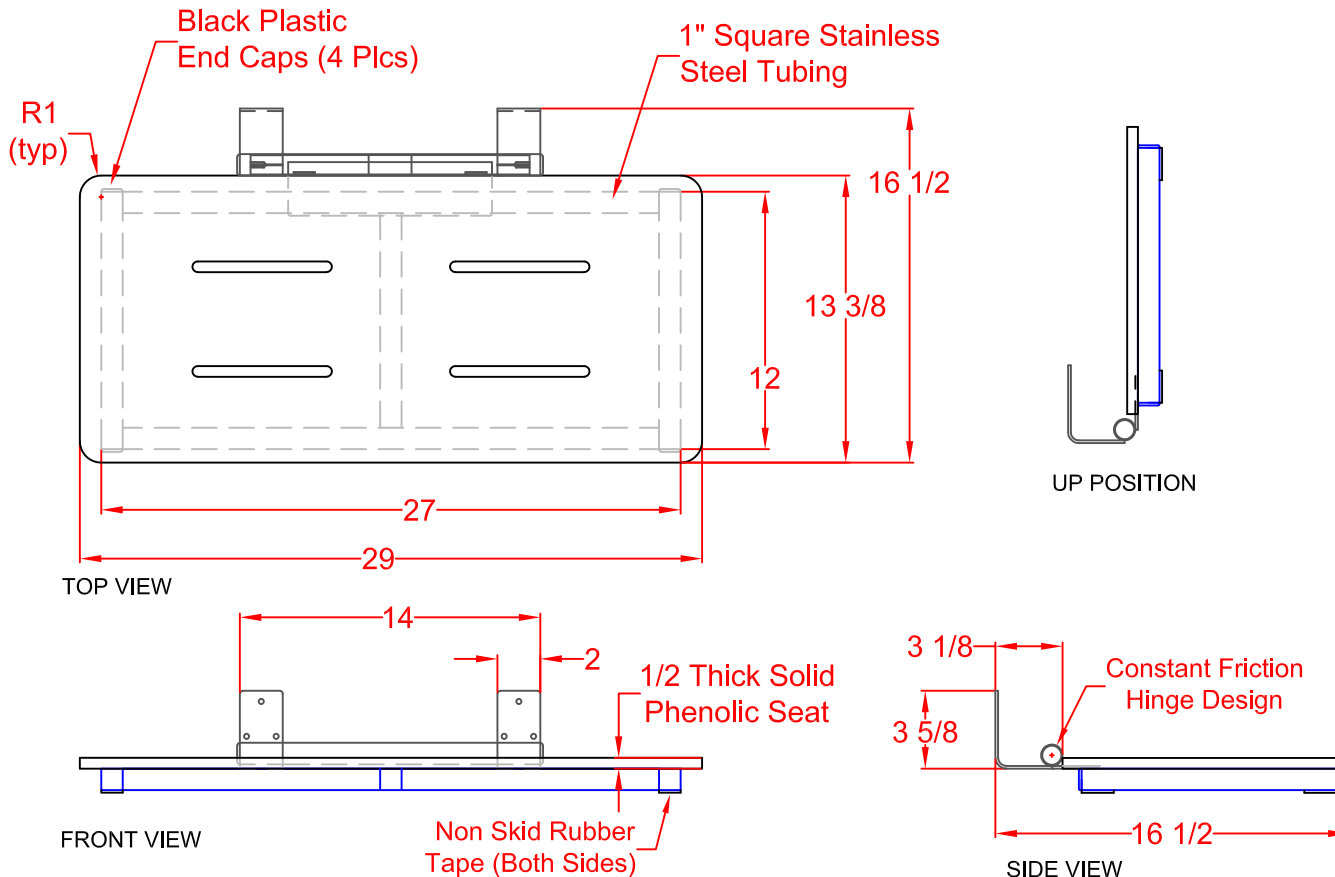
SEAT CHOICES:(Designate when ordering)

PAS - ALMOND
PAAS - AGED ASH
PBS - BLACK
PGS - GREY
PLGS - LIGHT GREY
PRTS - RUSTIC TEAK
PTS - TEAK
PWAS - WEATHERED ASH
PWS - WHITE

INSTALLATION:

Lay seat flat resting on both sides of tub. Set the hinge flat against the tub wall and mark holes. (Make sure bottom of hinge rests on tub surface for support).

All Shower Seats must only be installed using suitable fasteners and sufficient in-wall backing materials. ADA mounting height for lowered seat is 17" (432mm) to 19" (482mm).



Proprietary & Confidential

This drawing and the information contained herein is the property of Seachrome Corporation and shall not be reproduced, copied, or disclosed in whole or in part, or used in manufacturing, or for any other purpose without the written permission of Seachrome Corporation.