

# INSTALLATION INSTRUCTIONS

Silhouette Comfort Plus  
Tub/Shower Seat  
LIFESTYLE & WELLNESS®

**PLEASE READ THESE INSTALLATION INSTRUCTIONS THOROUGHLY PRIOR TO INSTALLING THIS TUB/SHOWER SEAT**

**IMPORTANT: THIS PRODUCT SHOULD ONLY BE INSTALLED BY QUALIFIED AND TRAINED PERSONNEL**

FAILURE TO FOLLOW THESE INSTRUCTIONS COULD LEAD TO IMPROPER INSTALLATION OF THE TUB/SHOWER SEAT, STRUCTURAL AND/OR WATER DAMAGE TO THE WALL AND IN-WALL SUPPORT STRUCTURES, AND/OR SERIOUS BODILY INJURY IN USE. IN ADDITION, ALL WARRANTIES, EXPRESS OR IMPLIED, WILL BE NULL & VOID DUE TO IMPROPER INSTALLATION OF THIS PRODUCT. THE MANUFACTURER DOES NOT ASSUME ANY LIABILITY FOR DAMAGE RESULTING FROM SERVICES PERFORMED BY OTHERS, OR FAULTY INSTALLATION, MISUSE OR MISAPPLICATION OF GOODS.

THIS PRODUCT IS DESIGNED TO MEET OR EXCEED ALL LOAD REQUIREMENTS ESTABLISHED IN THE AMERICANS WITH DISABILITIES (ADA) ACT AND/OR FEDERAL SPECIFICATION WW-P-541/8b AT 250 POUNDS OF FORCE. THE PERFORMANCE OF THIS PRODUCT IS SIGNIFICANTLY IMPACTED BY THE STRENGTH AND CONSTRUCTION OF THE WALL TO WHICH IT IS ATTACHED.

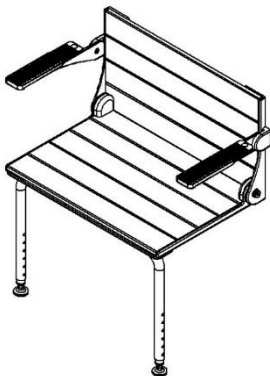
TO ASSURE PROPER AND SAFE INSTALLATION, THIS TUB/ SHOWER SEAT MUST BE INSTALLED INTO A MINIMUM 2" THICK, SOLID WOOD, IN-WALL BACKING MATERIAL. MAKE CERTAIN IN-WALL BACKING COMPLIES WITH ALL LOCAL BUILDING CODE REQUIREMENTS.

**MAXIMUM WEIGHT CAPACITY FOR THIS PRODUCT SHALL NOT EXCEED 800 LBS. WHEN PROPERLY INSTALLED.**

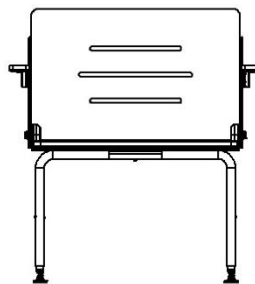
1. Remove the Silhouette Comfort Plus Tub/Shower Seat from the shipping carton. Carefully unwrap packaging as the mounting screws are packaged separately inside the carton.

**Note:**

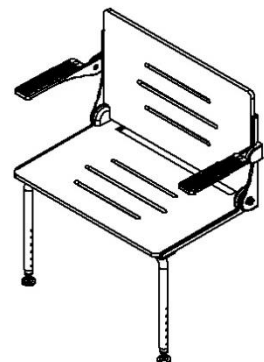
The Seat Back Rest is packed attached to the Seat Frame with two (2) screws that MUST BE REMOVED prior to installation. Discard the two (2) screws after removal, they are only used to secure the Seat Back Rest in place during transit.



SHAFB-240155-Natural Teak Wood Series  
SHAFB-185155-Natural Teak Wood Series



SHAFB-240155-Phenolic Series  
SHAFB-185155-Phenolic Series



# INSTALLATION INSTRUCTIONS

Silhouette Comfort Plus  
Tub/Shower Seat  
LIFESTYLE & WELLNESS®

## 2. Locating the Silhouette Comfort Plus Seat in the desired position for Walk-in Showers and Tub Enclosures.

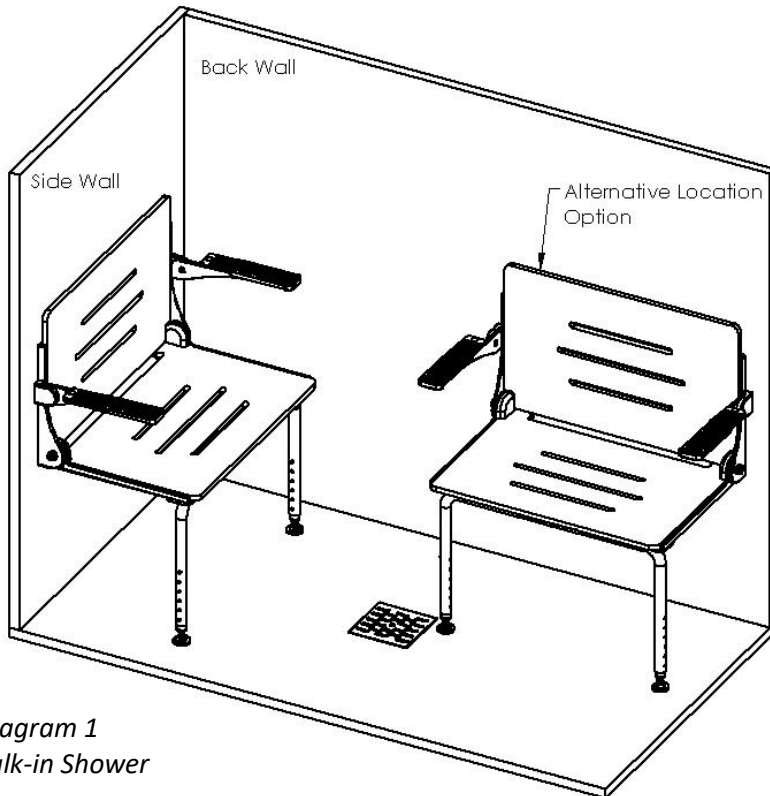


Diagram 1  
Walk-in Shower

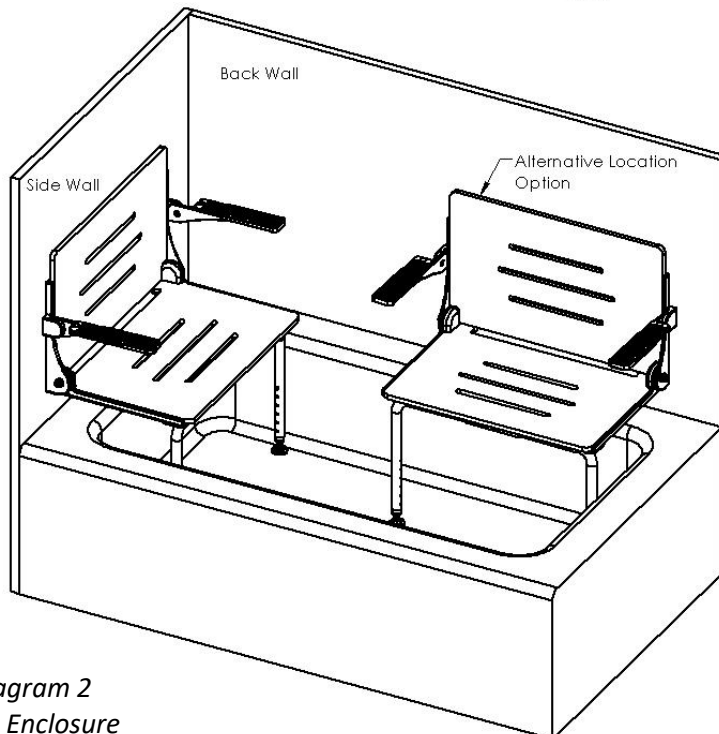


Diagram 2  
Tub Enclosure

Remove the seat from the carton and unfold the seat so it is in the open position with Swing Down Legs in the full “DOWN” position and the Telescoping Leg Push-Pins fully engaged, preventing movement of the Swing Down Legs. (See Diagram 5)

Locate the area with 2” solid wood in-wall backing. Determine desired seat height (ADA requirements stipulate a seat height of 17” – 19” from the floor). Place seat at desired location and make sure the mounting brackets are flush against the wall. (See Diagram 1 & 2)

Align mounting hole centerlines with the in-wall backing. Using a level (not provided) ensure the seat top is level. (See Diagram 3)

When installing the seat in a tub enclosure, place the seat in the open position with Swing Down Legs in the full “DOWN” position (as shown in Diagram 2) against the wall, prior to installation, to ensure the bottom of the seat will clear the tub dam and that the Leveling Feet will rest securely on the tub floor. (See Step 5 – Adjusting the height on the Swing Down Legs)

Using a pencil or suitable marker, it is ***extremely important*** you mark the center of each of the four (4) mounting holes precisely on the mounting surface. (See Diagram 3)

# INSTALLATION INSTRUCTIONS

Silhouette Comfort Plus  
Tub/Shower Seat  
LIFESTYLE & WELLNESS®

*Proceed cautiously through the following steps in this installation process to avoid drilling into in-wall water supply lines.*

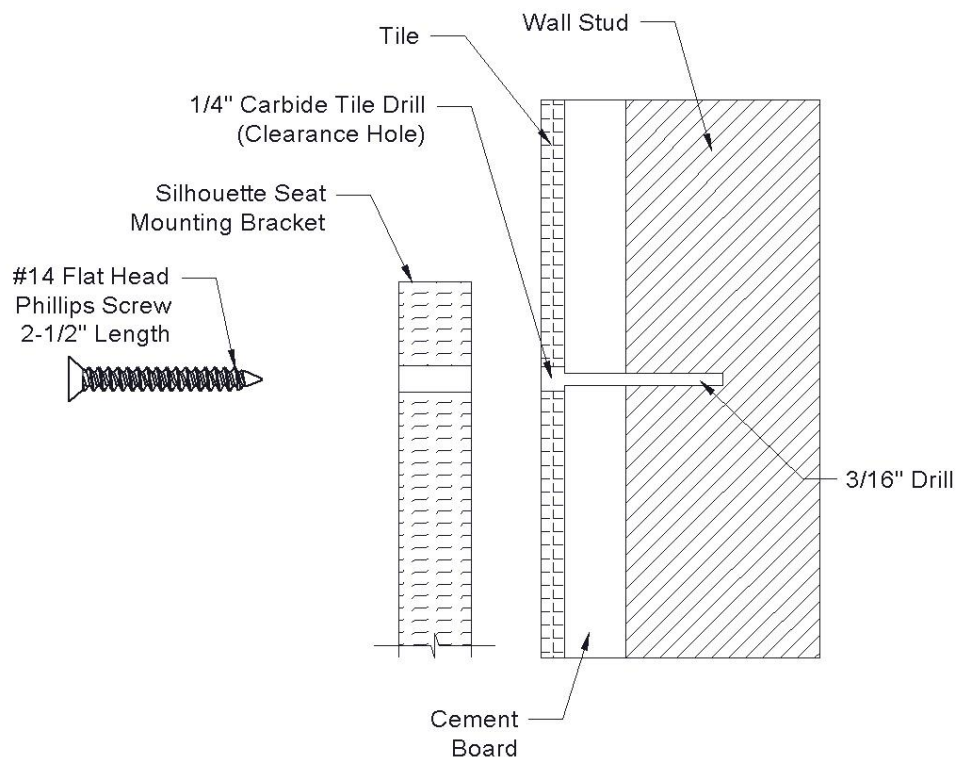
### 3. Mounting the Silhouette Comfort Plus Seat in Tiled Wall Enclosure.

**All mounting points must fasten into structural wood backing, minimum 2" thickness.**

**Avoid electrical and/or plumbing behind the wall, and where possible drill through tile – not through grout.**

#### Step #1

Drill through the **tile only** with a 1/4" Carbide tile drill bit (not provided) at the four (4) locations marked on the wall to create clearance holes, leaving a center point mark in the cement board backing to use as a guide for Step #2.



#### Step #2

Use a power drill with a 3/16" Standard drill bit (not provided) and drill into the 2" thick solid wood backing in the wall, using the center point guide marks created in Step #1. Fill the clearance holes on the mounting surface with silicone to ensure a water-tight seal will be created at all mounting locations.

# INSTALLATION INSTRUCTIONS

Silhouette Comfort Plus  
Tub/Shower Seat  
LIFESTYLE & WELLNESS®

## Step #3

Secure the Seat Mounting Brackets to the wall using the four (4) #14 Flat Head Phillips sheet metal screws (supplied by manufacturer) and screw into the solid wood backing, starting with the top two hole locations. (See Diagram 3)

**Secure the Seat Mounting Brackets with the mounting screws but DO NOT tighten the mounting screws completely.**

## Step #4

Fully insert the Arm Rest Brackets into the cutouts on both sides of the Seat Mounting Brackets until they fit snug inside the cutouts when flush on the mounting surface. (See Diagram 4)

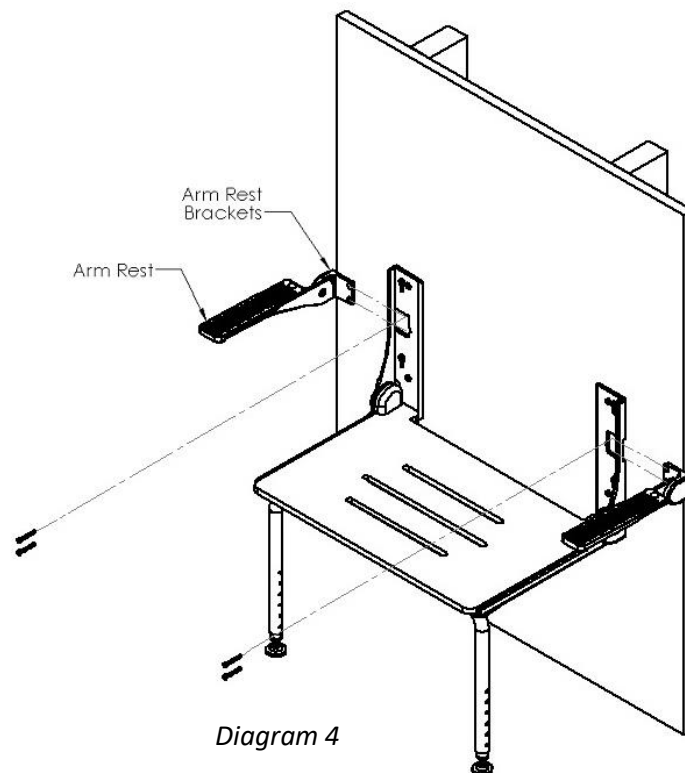
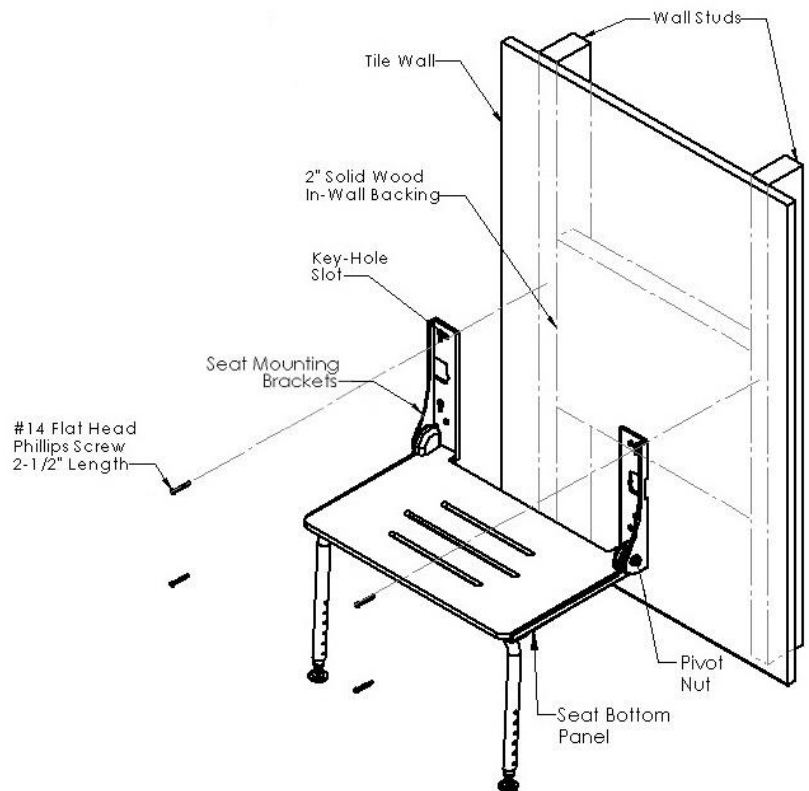
Using a pencil or suitable marker, mark the center of each of the four (4) mounting holes on the Arm Rest Brackets precisely on the mounting surface. Repeat steps #1 and #2 to mount the Arm Rests on the mounting surface.

Secure the Arm Rest Brackets to the wall using the four (4) #14 Flat Head Phillips sheet metal screws (supplied by manufacturer) and screw into the solid wood backing, starting with the top two hole locations. (See Diagram 4)

**Secure the Arm Rest Brackets with the mounting screws but DO NOT tighten the mounting screws completely.**

## Step #5

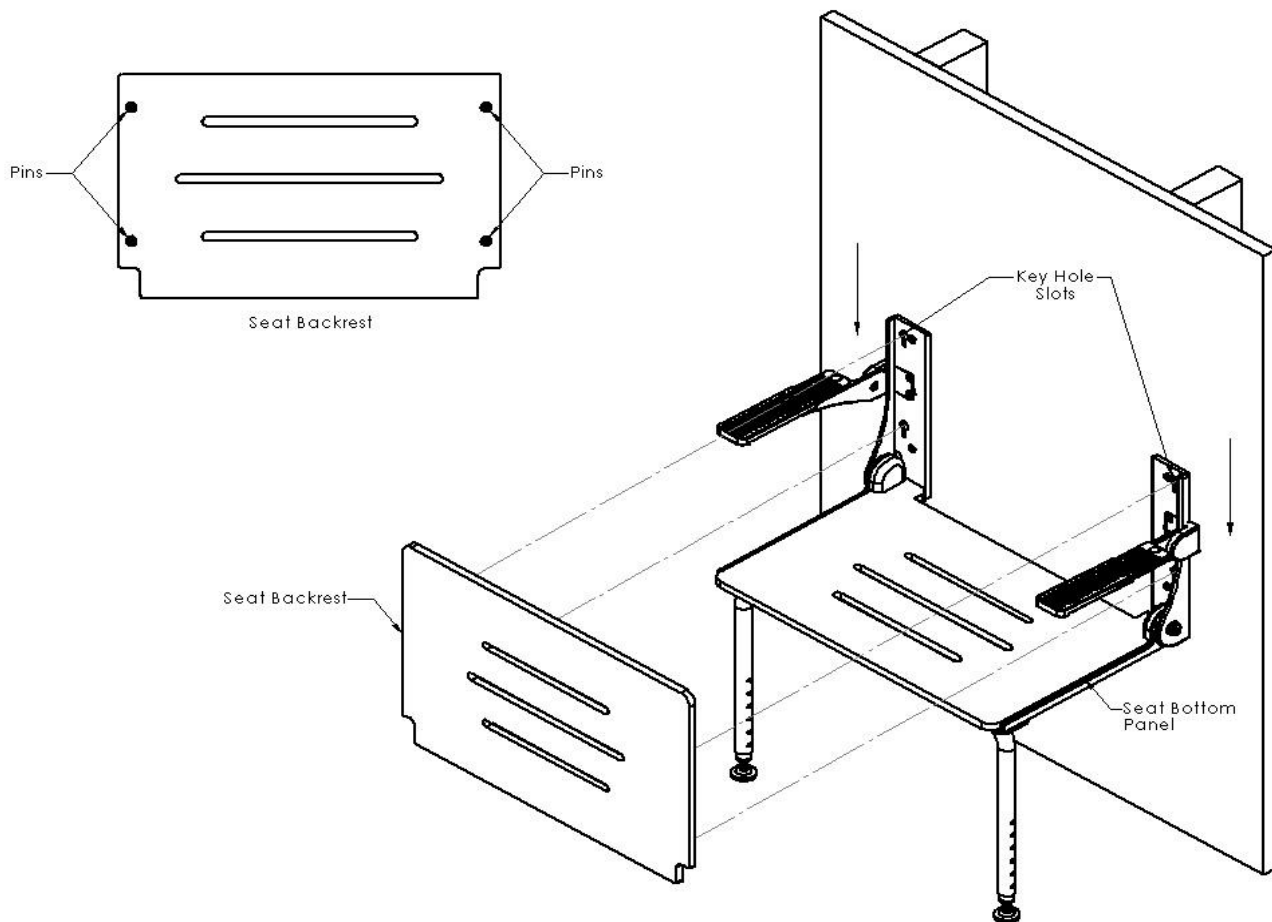
Tighten the four (4) screws on both of the Arm Rest Brackets, then tighten the four (4) screws on the Seat Mounting Brackets so that ALL eight (8) screws have been tightened completely.



## 4. Attaching Seat Backrest to Seat Frame

Once all eight (8) screws have been tightened, install the Seat Backrest by placing the four (4) pins attached to the backside of the phenolic seat backrest panel into the four (4) Key Hole Slots on the Seat Mounting Brackets. The backrest panel should easily slide down approximately  $\frac{1}{2}$ " until secure in its normal position. Make certain all four (4) pins are engaged in each Key Hole Slot.

To remove the Seat Backrest, slide the backrest panel up approximately  $\frac{1}{2}$ " so the four (4) pins align with the enlarged portion of the Key Hole Slots on the Seat Mounting Brackets, and pull the backrest away from the frame.



### NOTE:

The Seat Bottom Panel is attached to the aluminum frame at the factory.

Do **NOT** attempt to remove the Seat Bottom Panel from the seat frame as it may cause severe damage to the seat.

Do **NOT** attempt to adjust or remove the pivot nut. Torque and friction settings are determined at the factory and cannot be changed. Doing so will severely damage the seat and void all warranties (See Diagram 3).

## 5. Adjusting the height on the Swing Down Legs

The Swing Down Legs on this seat are designed with two (2) different height adjustments. (See Diagram 5)

1. Telescoping Legs
2. Adjustable Padded Leveling Feet

### First:

Make sure the Telescoping Push-Pins on each side of the Telescoping Legs fully extend through each hole in ALL four (4) locations on the Telescoping Legs before use.

To lengthen or shorten the Telescoping Legs, simultaneously press the Telescoping Leg Push-Pins "IN" on each side of the Telescoping Leg until the Telescoping Leg slides into the desired position. It is critical for the safe operation of this seat that both Telescoping Leg Push-Pins snap into place through the holes in each of the Telescoping Legs. Adjust both Telescoping Legs on the Swing Down Leg assembly so that the Telescoping Legs are the same length on both sides.

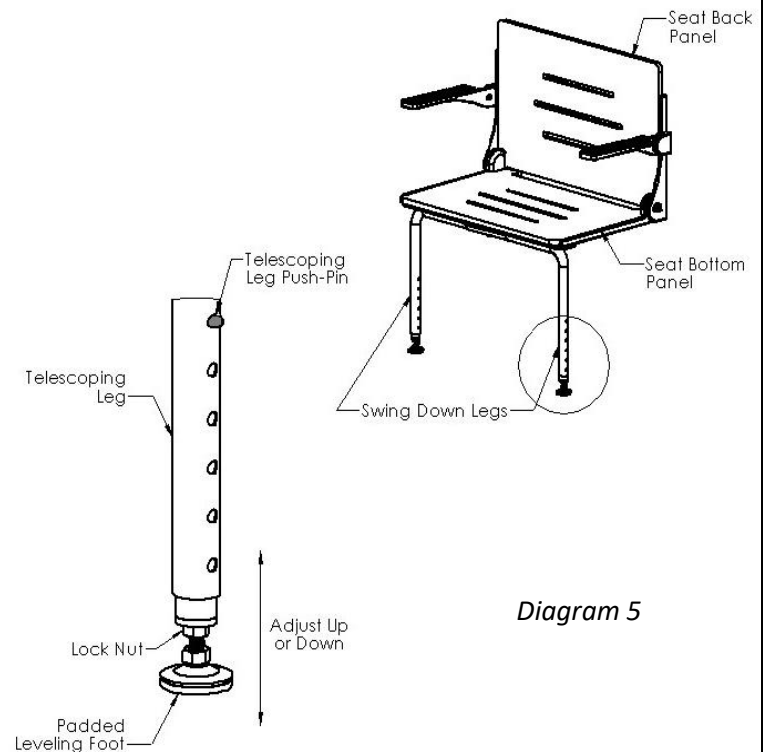


Diagram 5

### Second:

Adjust the threaded Leveling Feet up or down until the rubber pad on the underside of the Padded Leveling Foot touches the tub or shower floor with the seat in the full "DOWN" position. (See Diagram 1 & 2)

To determine the proper position of the Leveling Feet, the Seat Bottom Panel must remain secure and in position at a 90 degree angle relative to the Seat Back Panel with the Padded Leveling Feet in contact with the tub or shower floor.

Additionally, the measurement between the bottom of the Lock Nut and the bottom of the Padded Leveling Foot can be no more than two (2) inches apart when the Padded Leveling Foot is in contact with the tub or shower floor and with the Seat Bottom Panel in the full "DOWN" position. (See Diagram 5)

Once the correct length for each leg on the Swing Down Leg assembly has been determined, secure the position of the Padded Leveling Foot by tightening the Lock Nut on both of the leveling feet.

**To ensure proper and safe installation, the Silhouette Comfort Plus Seat should not shift in any direction on the mounting surface.**

**Hardware Provided:** (8) #14 Flat Head Phillips sheet metal screws 2-1/2" length.

**Tools required:** Marking pencil/pen, level, masking tape, power drill, 1/4" Carbide tile drill bit, 3/16" Standard drill bit, #3 phillips driver, silicone.

**THIS COMPLETES THE INSTALLATION OF THE SILHOUETTE COMFORT PLUS TUB/SHOWER SEAT**