

Your SHPQ Portable Tub Bench should be installed as an assembled unit.

**PLEASE READ THESE INSTALLATION INSTRUCTIONS THOROUGHLY PRIOR TO INSTALLING THE TUB BENCH**

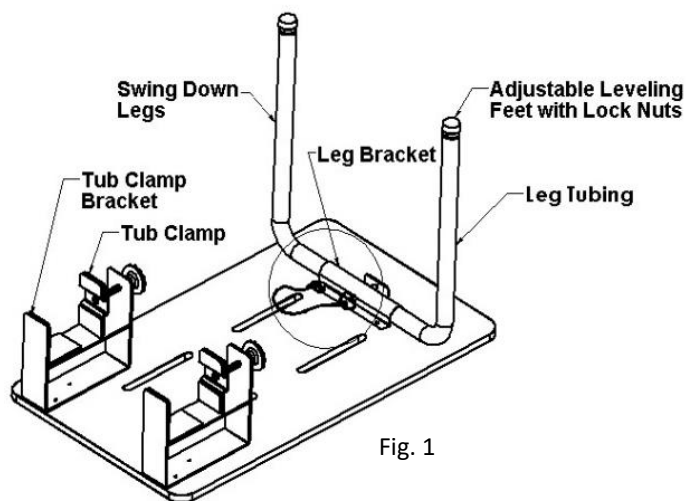
**THIS PRODUCT SHOULD BE INSTALLED BY QUALIFIED AND TRAINED PERSONNEL**

**FAILURE TO FOLLOW THESE INSTRUCTIONS AND IMPROPER INSTALLATION OR USE OF THIS TUB SEAT COULD LEAD TO SERIOUS BODILY INJURY. IN ADDITION, ALL WARRANTIES, EXPRESS OR IMPLIED, WILL BE NULL & VOID IN THE EVENT OF IMPROPER INSTALLATION OR USE OF THIS PRODUCT. THE MANUFACTURER DOES NOT ASSUME ANY LIABILITY FOR DAMAGES RESULTING FROM SERVICES PERFORMED BY OTHERS, OR FAULTY INSTALLATION, MISUSE OR MISAPPLICATION OF GOODS.**

**MAXIMUM WEIGHT CAPACITY FOR THIS PRODUCT SHALL NOT EXCEED 250 LBS. WHEN PROPERLY INSTALLED.**

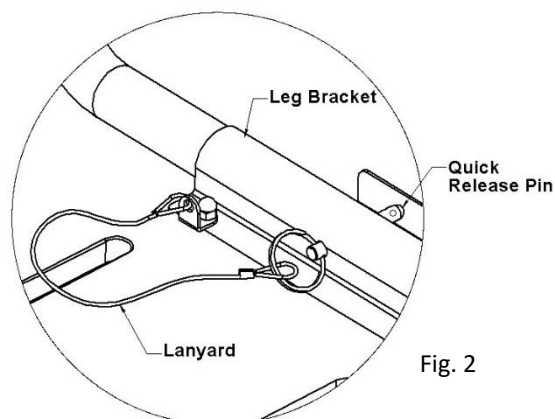
## 1. Determine desired tub bench location.

The bench must be located on the bathtub so that the swing-down legs are perpendicular to the tub floor, and that the adjustable leveling feet are positioned on a clean, flat surface.



Lay the bench top on a clean flat surface so the Tub Clamps and Swing Down Legs are accessible (facing up).

Lift the Swing Down Legs until they are completely perpendicular to the bench top and until the holes in the leg tubing line up with the holes in the center of the Leg Bracket. (Fig. 1)



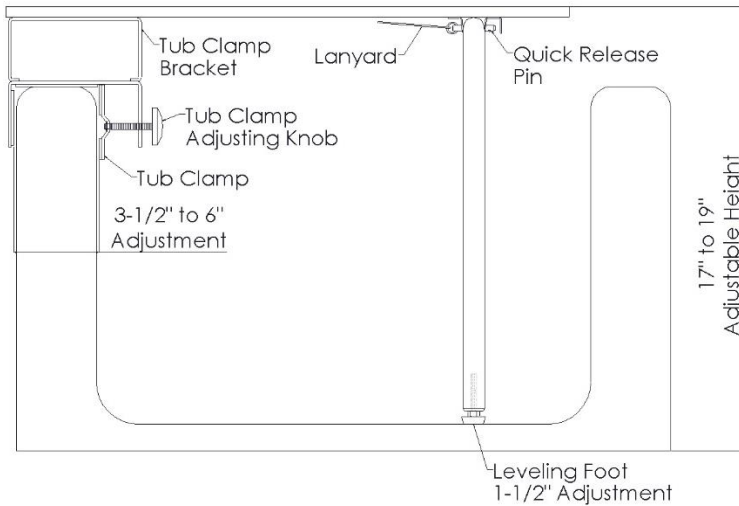
Push the open end of the Quick-Release Pin completely through the leg bracket holes and leg tubing holes until the tip of the Quick-Release Pin is completely visible, outside the opposite hole of the Leg Bracket (Fig. 2).

Test the Swing Down Legs to make sure they are locked securely.

# INSTALLATION INSTRUCTIONS

SHPQ PORTABLE  
TUB BENCH

2. Determine seat height from the floor and location relative to the tub and bathroom finished floor. ADA regulations specify a finished seat height of 17" to 19" above the bathroom finished floor.



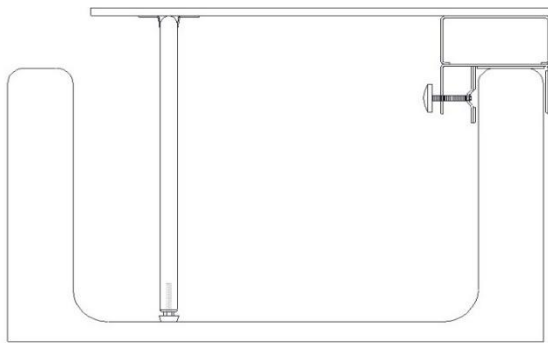
Loosen the Tub Clamps, turn the bench over, and place the Tub Clamps over the tub ledge.

Adjust the leveling feet up or down until the seat surface is completely flat and level. Once adjusted, secure the leveling feet by tightening the lock nut.

Tighten the Tub Clamps to secure the bench onto the tub ledge.

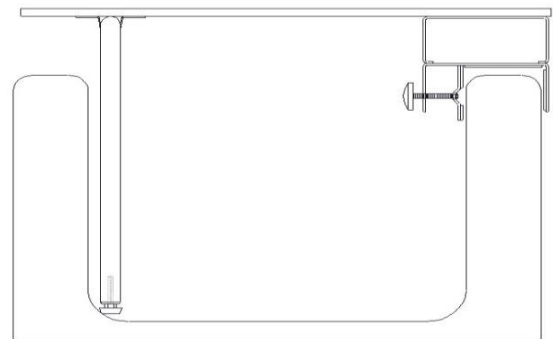
**Do not "over-tighten" the Tub Clamps, which may distort the Tub Clamp Bracket.**

***Make certain that the leveling feet are resting on a clean, flat surface on the tub floor.***



**PROPER INSTALLATION**

Fig. 3



**IMPROPER INSTALLATION  
WRONG SIZE – DO NOT USE!!**

Fig. 4

3. Check Seat for:

- 1) Correct finished height.
- 2) Tub Clamps properly secured on tub ledge.
- 3) "Swing-Down Legs" locked in down position @ 90 degrees, perpendicular to the tub floor.
- 4) The adjustable leveling feet are positioned on a clean, flat surface on the tub floor, not resting on the curved/radius corner of the tub floor.

**IMPORTANT!!**

When installed, the leveling feet **MUST** rest completely on a clean, flat bottom surface of the tub. **NO** portion of the leveling feet should rest on the radius, curved corner of the tub bottom (Fig. 3).

If any part of the leveling feet is resting on the curved portion of the tub bottom, the bench is **NOT** the proper size for your tub. **DO NOT USE!** (Fig. 4)

*Once secured to the tub, make certain the seat does not shift from its set position in any direction, before use.*

***THIS COMPLETES THE INSTALLATION OF THE PORTABLE TUB SEAT.***