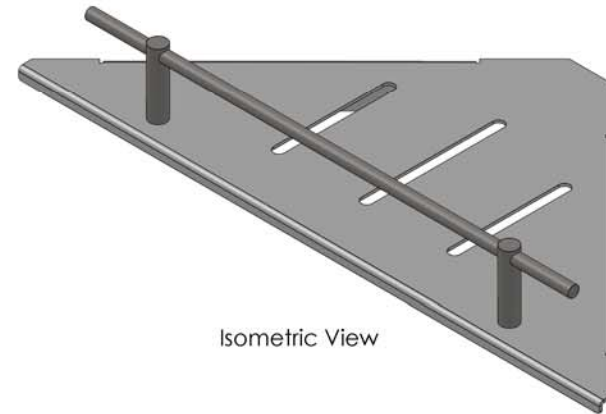
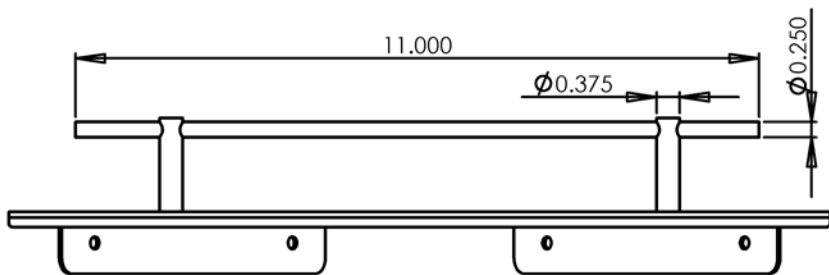


Top View

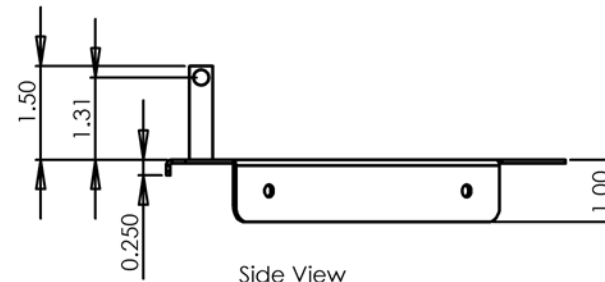
Material:  
 Base: 18 gage (0.050") Polished Stainless Steel.  
 Rail: 1/4" Round Stainless Steel.



Isometric View



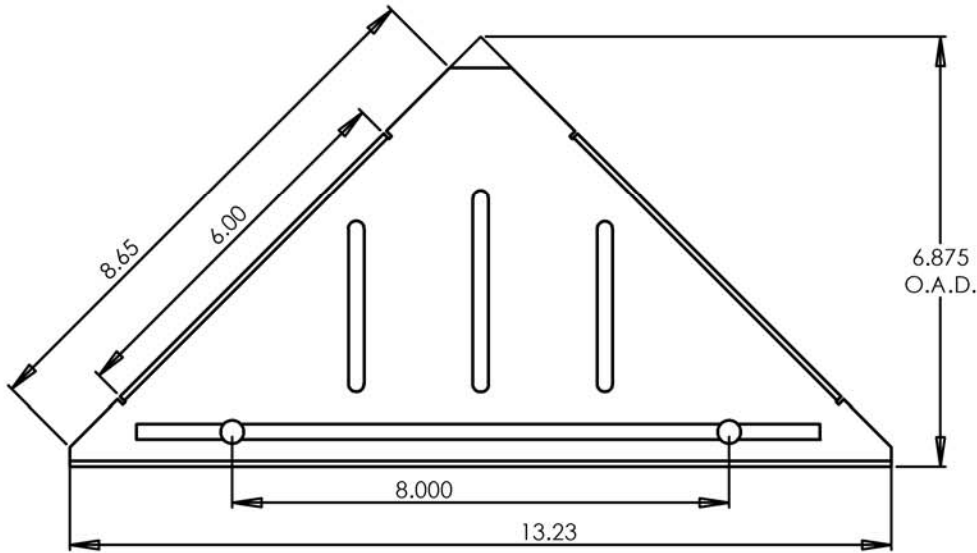
Front View



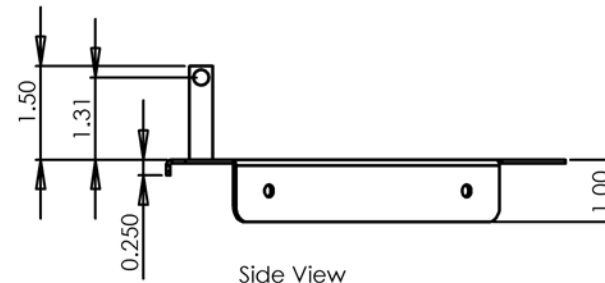
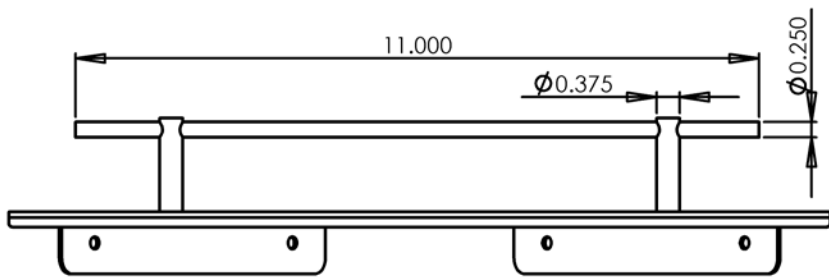
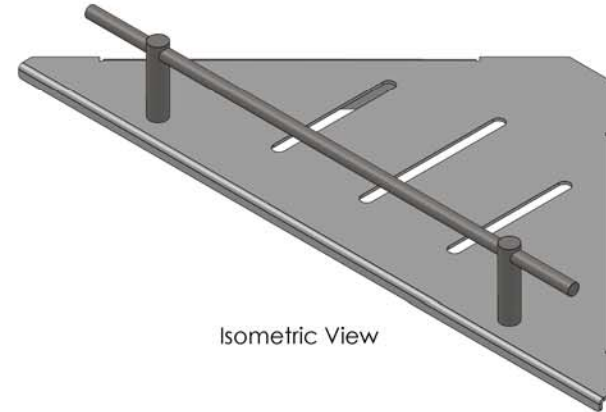
Side View

**PROPRIETARY AND CONFIDENTIAL**  
 THE INFORMATION CONTAINED IN THIS DRAWING IS THE SOLE PROPERTY OF <INSERT COMPANY NAME HERE>. ANY REPRODUCTION IN PART OR AS A WHOLE WITHOUT THE WRITTEN PERMISSION OF <INSERT COMPANY NAME HERE> IS PROHIBITED.

		UNLESS OTHERWISE SPECIFIED:		NAME	DATE	Seachrome Corporation	
		DIMENSIONS ARE IN INCHES		DRAWN	Montoya	09-30-15	TITLE: <b>Corner Shelf Shelf Assembly</b>
		TOLERANCES:		CHECKED			
		FRACTIONAL: $\pm$		ENG APPR.			
		ANGULAR: MACH: $\pm$ BEND: $\pm$		MFG APPR.			
		TWO PLACE DECIMAL: $\pm$		Q.A.			SIZE DWG. NO. REV
		THREE PLACE DECIMAL: $\pm$		COMMENTS:			<b>B</b> W-SC300-0909-PS
NEXT ASSY		USED ON		MATERIAL		SCALE: 1:5 WEIGHT: SHEET 1 OF 1	
				18ga. (.048) Stainless			
APPLICATION		DO NOT SCALE DRAWING		FINISH			
				Polished Stainless			



Material:  
 Base: 18 gage (0.050") Polished Stainless Steel.  
 Rail: 1/4" Round Stainless Steel.



**PROPRIETARY AND CONFIDENTIAL**  
 THE INFORMATION CONTAINED IN THIS DRAWING IS THE SOLE PROPERTY OF <INSERT COMPANY NAME HERE>. ANY REPRODUCTION IN PART OR AS A WHOLE WITHOUT THE WRITTEN PERMISSION OF <INSERT COMPANY NAME HERE> IS PROHIBITED.

		UNLESS OTHERWISE SPECIFIED:		NAME	DATE	Seachrome Corporation	
		DIMENSIONS ARE IN INCHES		DRAWN	Montoya	09-30-15	TITLE: <b>Corner Shelf Shelf Assembly</b>
		TOLERANCES:		CHECKED			
		FRACTIONAL: $\pm$		ENG APPR.			
		ANGULAR: MACH: $\pm$ BEND: $\pm$		MFG APPR.			
		TWO PLACE DECIMAL: $\pm$		Q.A.			SIZE DWG. NO. REV
		THREE PLACE DECIMAL: $\pm$		COMMENTS:			<b>B</b> W-SC300-0909-SS
		INTERPRET GEOMETRIC TOLERANCING PER:					SCALE: 1:5 WEIGHT: SHEET 1 OF 1
		MATERIAL					
		18ga. (.048) Stainless					
		FINISH					
		Satin Stainless					
NEXT ASSY	USED ON	APPLICATION					
		DO NOT SCALE DRAWING					