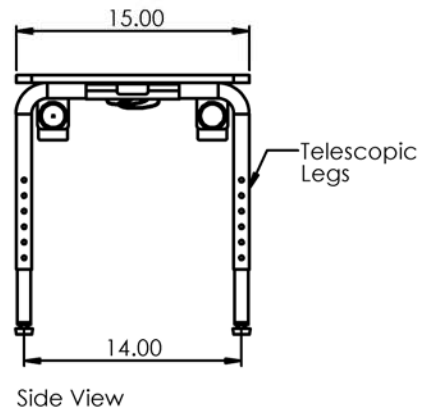
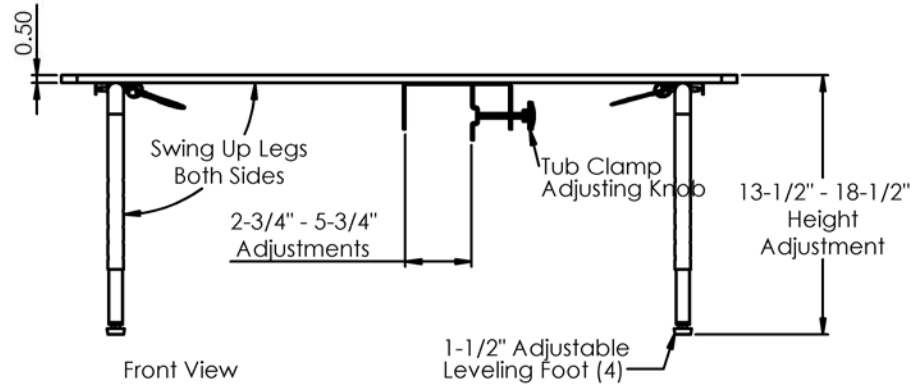
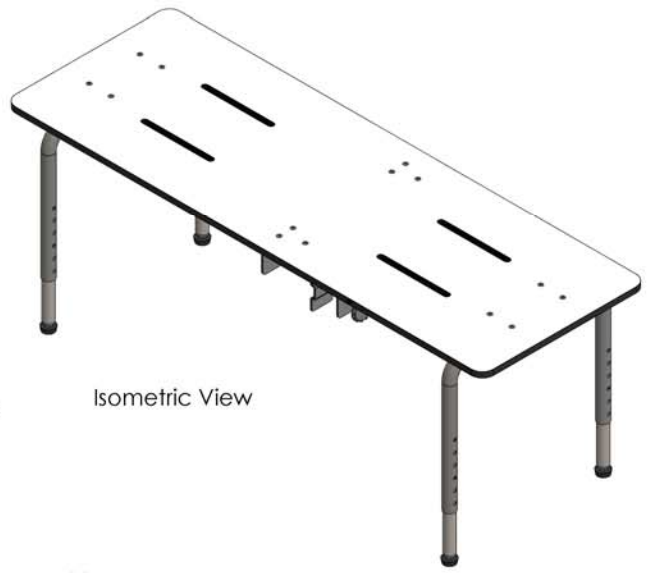
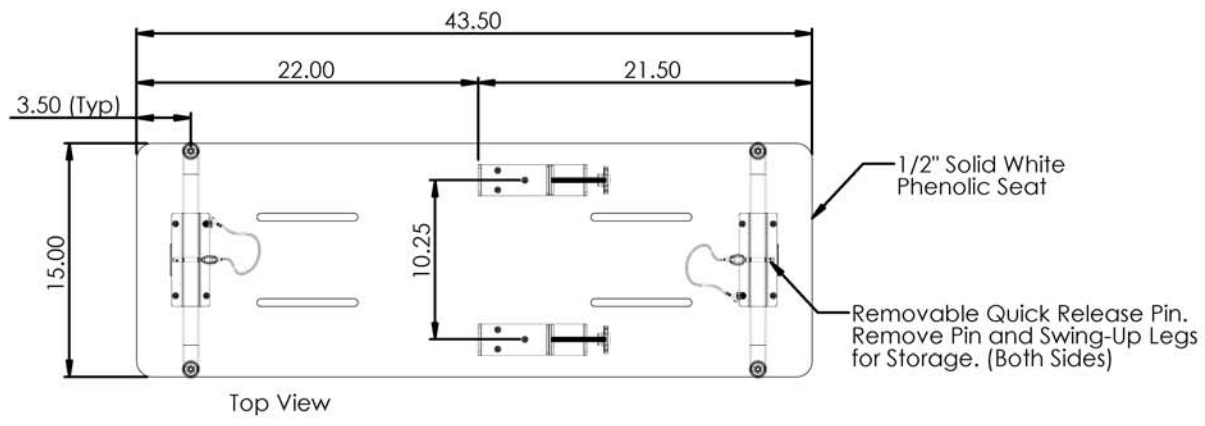


8 7 6 5 4 3 2 1



**PROPRIETARY AND CONFIDENTIAL**  
 THE INFORMATION CONTAINED IN THIS DRAWING IS THE SOLE PROPERTY OF SEACHROME CORPORATION. ANY REPRODUCTION IN PART OR AS A WHOLE WITHOUT THE WRITTEN PERMISSION OF SEACHROME CORPORATION IS PROHIBITED.

		UNLESS OTHERWISE SPECIFIED:		NAME	DATE	<b>Seachrome Corporation</b>
		DIMENSIONS ARE IN INCHES		DRAWN	Ayala	
		TOLERANCES:		CHECKED		TITLE: Heavy Duty Portable Secure Mount Tub Seat w/ Dual Clamps & Telescopic Legs 43-1/2" x 15" (One Piece Solid White Phenolic)
		FRACTIONAL: $\pm$		ENG APPR.		
		ANGULAR: MACH: $\pm$ BEND: $\pm$		MFG APPR.		
		TWO PLACE DECIMAL: $\pm$		Q.A.		SIZE DWG. NO.
		THREE PLACE DECIMAL: $\pm$		COMMENTS:		<b>B</b> STPQ2-435150-PWS
NEXT ASSY		USED ON				SCALE: 1:10
APPLICATION		DO NOT SCALE DRAWING				WEIGHT:
						SHEET 1 OF 1

8 7 6 5 4 3 2 1