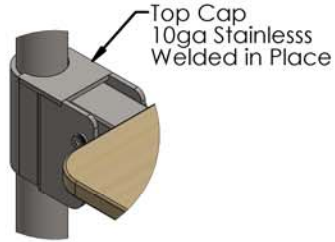
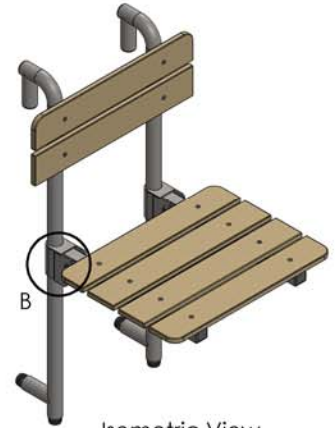


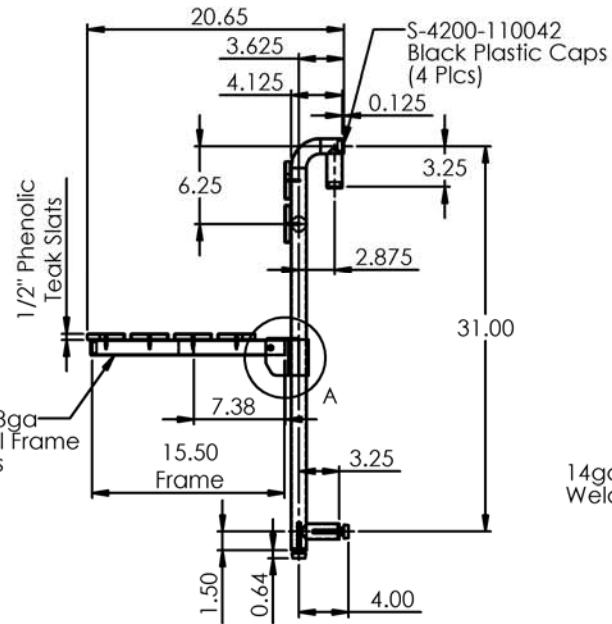
Note: GSS-180-QCR Included w/ Every Seat



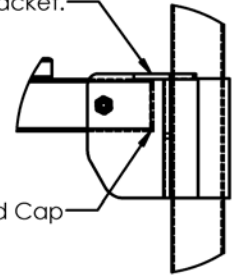
DETAIL B
SCALE 1 : 3



Isometric View



Weld Top Cap in Place.
Weld all around inside bottom edge and seam weld along top bracket.



14ga (.075) Welded End Cap

DETAIL A
SCALE 1 : 3

PROPRIETARY AND CONFIDENTIAL
THE INFORMATION CONTAINED IN THIS DRAWING IS THE SOLE PROPERTY OF SEACHROME CORPORATION. ANY REPRODUCTION IN PART OR AS A WHOLE WITHOUT THE WRITTEN PERMISSION OF SEACHROME CORPORATION IS PROHIBITED.

		UNLESS OTHERWISE SPECIFIED:		NAME	DATE	Seachrome Corporation
		DIMENSIONS ARE IN INCHES		DRAWN	Montloya	
		TOLERANCES:		CHECKED		TITLE:
		FRACTIONAL: $\frac{1}{16}$		ENG APPR.		Profile Bench Seat
		ANGULAR: MACH \pm BEND \pm		MFG APPR.		Grab Bar Hung
		TWO PLACE DECIMAL \pm		Q.A.		w/ Backrest
		THREE PLACE DECIMAL \pm		COMMENTS:		SIZE DWG. NO.
		INTERPRET GEOMETRIC TOLERANCING PER:				B SSSGBH-180160-PT
		MATERIAL 1/2" Phenolic Teak Slats				SCALE: 1:10
		FINISH Satin Stainless Frame				WEIGHT:
NEXT ASSY	USED ON	DO NOT SCALE DRAWING				SHEET 1 OF 1
APPLICATION						