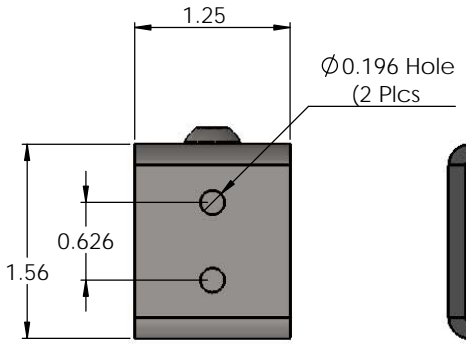


4

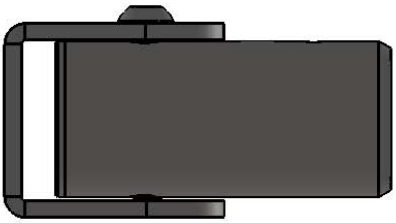
3

2

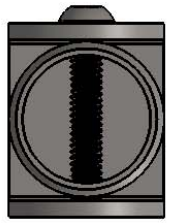
1



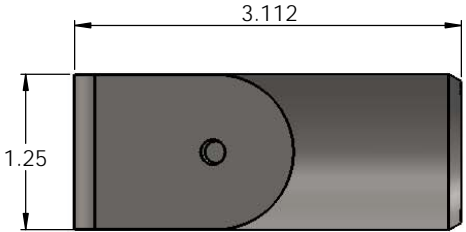
Rear View



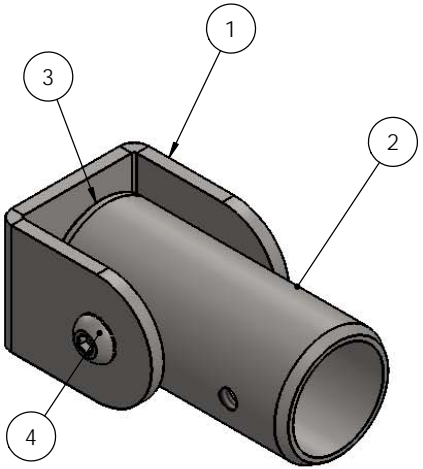
Top View



Front View



Side View



ITEM NO.	PART NUMBER	DESCRIPTION	QTY.
1	P-SRF-555-1	Wall Mounting Bracket	1
2	P-SRF-555-2	Shower Rod Mounting Tube	1
3	P-SRF-555-3	Mounting Tube End Cap	1
4	98164A222	1/4-20 x 1-5/8" Stainless SHSC	1

PROPRIETARY AND CONFIDENTIAL
 THE INFORMATION CONTAINED IN THIS DRAWING IS THE SOLE PROPERTY OF SEACHROME CORPORATION. ANY REPRODUCTION IN PART OR AS A WHOLE WITHOUT THE WRITTEN PERMISSION OF SEACHROME CORPORATION IS PROHIBITED.

		UNLESS OTHERWISE SPECIFIED:	NAME	DATE
		DIMENSIONS ARE IN INCHES	Montoya	07-31-15
		TOLERANCES:		
		FRACTIONAL: ±	CHECKED	
		ANGULAR: MACH ± BEND ±	ENG APPR.	
		TWO PLACE DECIMAL: ±	MFG APPR.	
		THREE PLACE DECIMAL: ±	Q.A.	
		INTERPRET GEOMETRIC TOLERANCING PER:	COMMENTS:	
		MATERIAL	Type 304 Stainless	
		FINISH	Polished Stainless	
NEXT ASSY	USED ON	APPLICATION	DO NOT SCALE DRAWING	

Seachrome Corporation		
TITLE: Pivoting Flange for 1" Shower Rod		
SIZE B	DWG. NO. SRF-555	REV
SCALE: 1:1	WEIGHT:	SHEET 1 OF 1

4

3

2

1