

# SEACHROME

Seachrome Corporation  
1906 East Dominguez Street  
Long Beach, California 90810  
Phone: (800) 955-2476  
Fax: (800) 444-3380

Description:

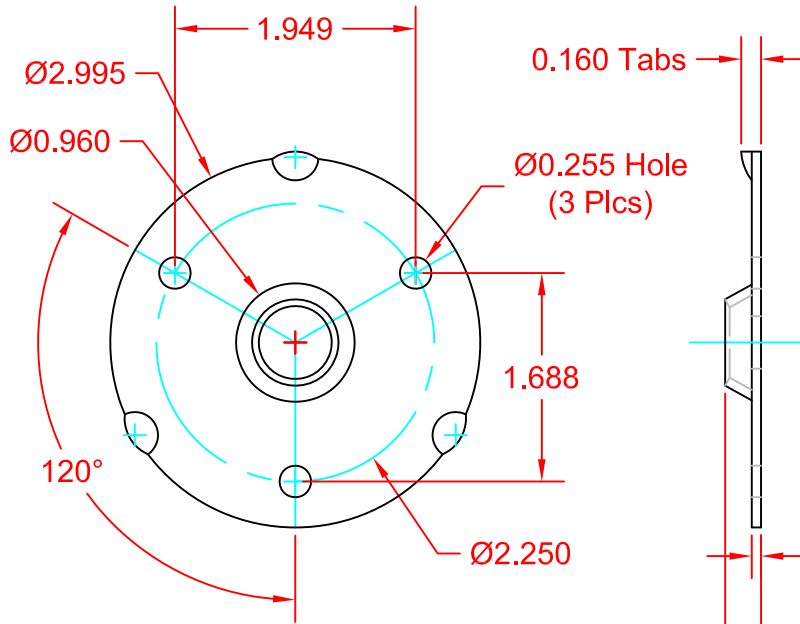
**SRF-514-SS**  
**Snap-On Concealed Flange, for 1" Rod**  
**(Satin Stainless Finish)**

Customer:

**SPEC SHEET**

Customer Part #

06-16-2014



Mounting Flange Detail

Bar Diameter:

SRF-514-SS (1" Dia Rod)  
SRF-515-SS (1-1/4" Dia. Rod)

Base Flange:

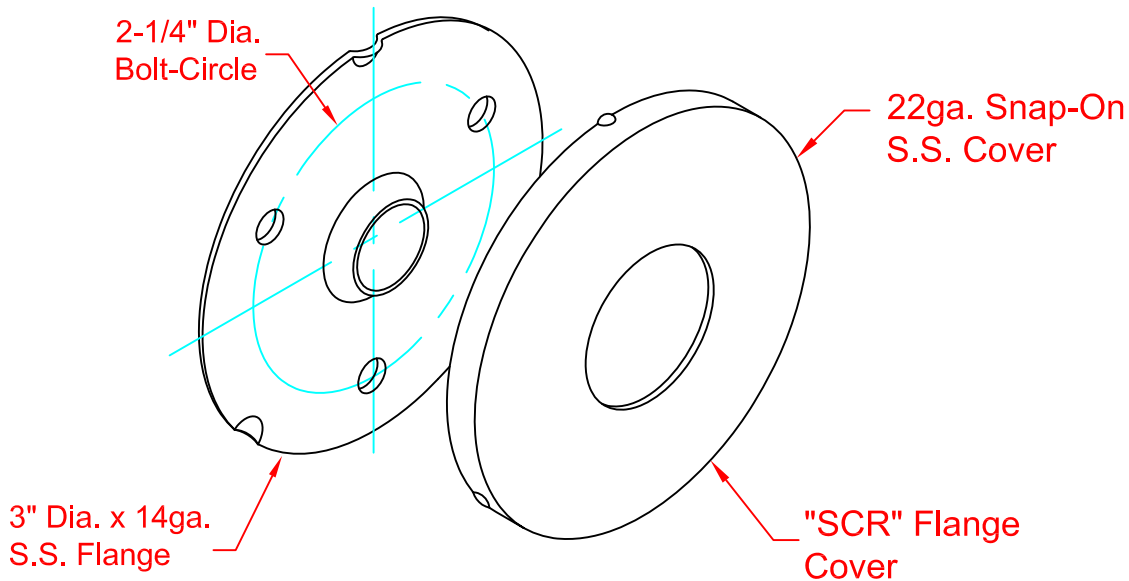
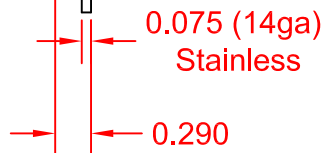
14ga. - Type 304 Stainless Steel

Concealed Snap Flange Cover:

22ga. - Type 304 Stainless Steel

Mounting Screws:

(6) #10 x 2" Stainless Phil Pan Hd SMS



Isometric View

This drawing and the information contained herein is proprietary to Seachrome Corp. and shall not be reproduced, copied or disclosed in whole, or part, or used for manufacturing or for any other purpose without the written permission of Seachrome Corporation.