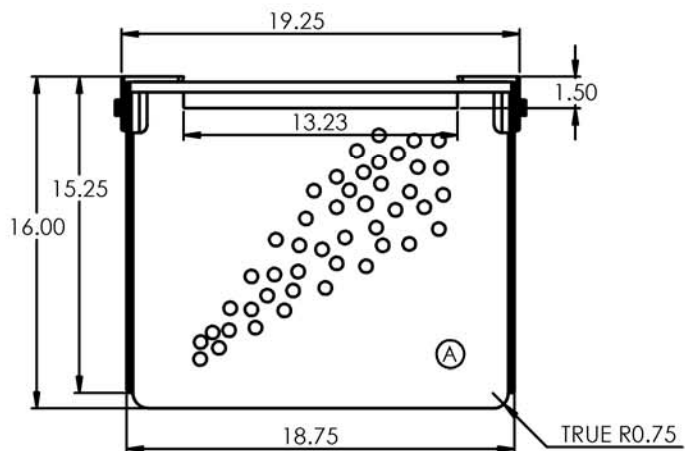
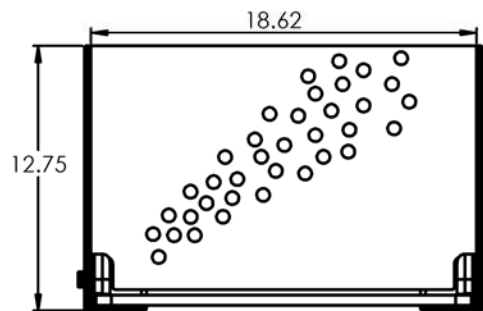
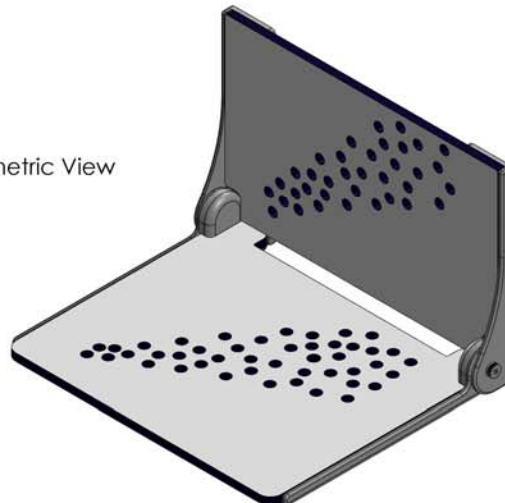


LIFESTYLE & WELLNESS

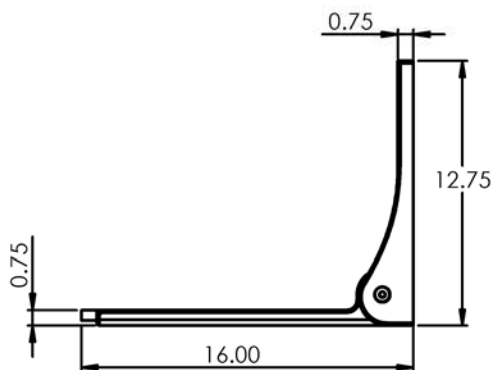


Top View

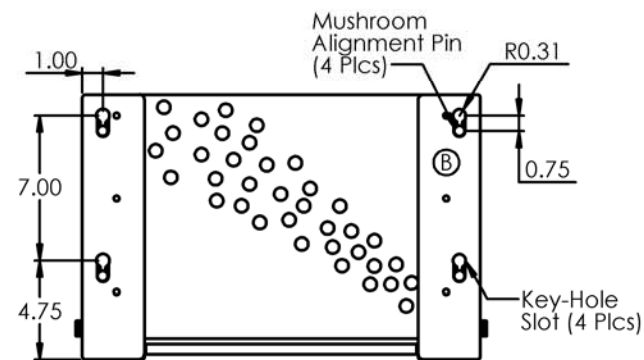
Isometric View



Front View



Side View



Rear View

REVISIONS

REV.	DESCRIPTION	DATE
A	Added 1-1/2" wall clearance, seat top lengthened, and radius added to front corners.	5/9/2017
B	Removable backrest added.	5/9/2017

PROPRIETARY AND CONFIDENTIAL
 THE INFORMATION CONTAINED IN THIS DRAWING IS THE SOLE PROPERTY OF SEACHROME CORPORATION. ANY REPRODUCTION IN PART OR AS A WHOLE WITHOUT THE WRITTEN PERMISSION OF SEACHROME CORPORATION IS PROHIBITED.

UNLESS OTHERWISE SPECIFIED:	
DIMENSIONS ARE IN INCHES	NAME
TOLERANCES:	DATE
FRACTIONAL: \pm	DRAWN
ANGULAR: MACH \pm BEND \pm	AYATA
TWO PLACE DECIMAL: \pm	05-09-17
THREE PLACE DECIMAL: \pm	CHECKED
INTERPRET GEOMETRIC TOLERANCING PER:	ENG APPR.
MATERIAL: White Phenolic Seat w/ Champagne Pattern	MFG APPR.
FINISH: White Powder Coat	Q.A.
NEXT ASSY	USED ON
APPLICATION	DO NOT SCALE DRAWING

Seachrome Corporation

TITLE:
 Silhouette High Back Seat 18"
 One-Piece Phenolic with
 Champagne Pattern
 and White Powder Coat Frame

SIZE	DWG. NO.	REV
B	SHAF-185155-PWS-C-WT	B
SCALE: 1:5	WEIGHT:	SHEET 1 OF 1