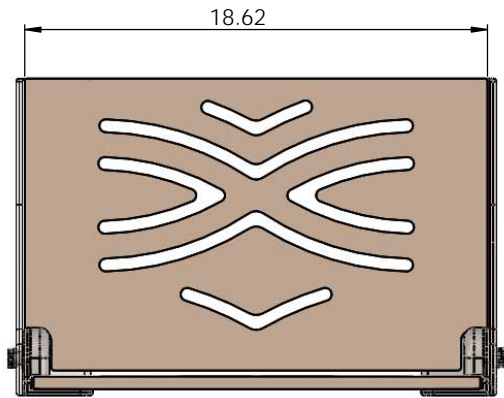
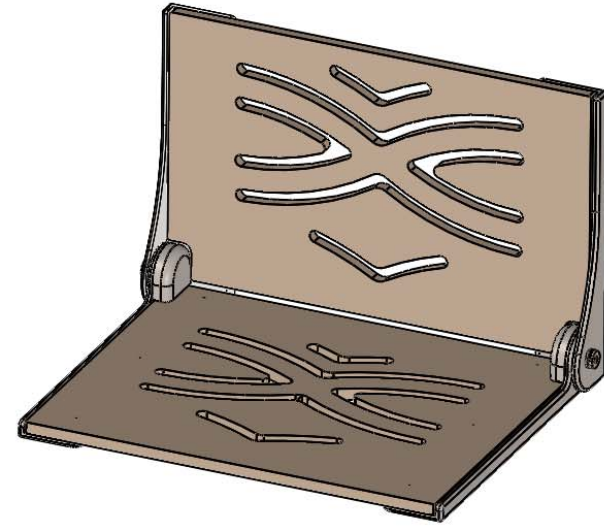


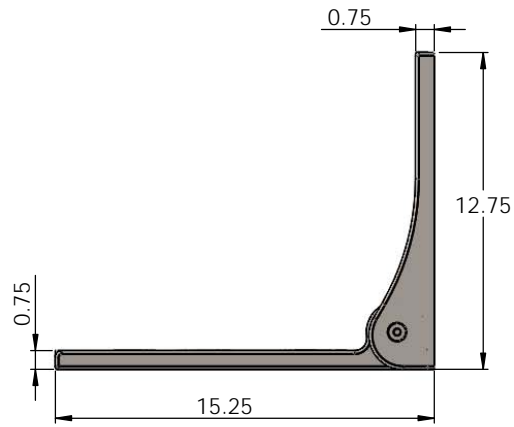
Top View



Front View



Isometric View



Side View

PROPRIETARY AND CONFIDENTIAL
 THE INFORMATION CONTAINED IN THIS DRAWING IS THE SOLE PROPERTY OF SEACHROME CORPORATION. ANY REPRODUCTION IN PART OR AS A WHOLE WITHOUT THE WRITTEN PERMISSION OF SEACHROME CORPORATION IS PROHIBITED.

		UNLESS OTHERWISE SPECIFIED:		NAME	DATE
		DIMENSIONS ARE IN INCHES		DRAWN	Montoya 03-16-15
		TOLERANCES:		CHECKED	
		FRACTIONAL ±		ENG APPR.	
		ANGULAR: MACH ± BEND ±		MFG APPR.	
		TWO PLACE DECIMAL ±		O.A.	
		THREE PLACE DECIMAL ±		COMMENTS:	
		INTERPRET GEOMETRIC TOLERANCING PER:			
		MATERIAL: Almond Phenolic w/ Lotus Slot Pattern			
NEXT ASSY	USED ON	FINISH	Powder Coat Bronze Frame		
APPLICATION		DO NOT SCALE DRAWING			

Seachrome Corporation		TITLE:	Silhouette High Back Seat 18" One-Piece Almond Phenolic with Lotus Slot Pattern and Powdercoat Bronze Frame	
		SIZE	DWG. NO.	SHAF-185155-PAS-L-BR
SCALE: 1:5		WEIGHT:	SHEET 1 OF 1	

4

3

2

1

4

3

2

1

B

B

A

A