

SEACHROME

Seachrome Corporation
1906 East Dominguez Street
Long Beach, California 90810
Phone: (800) 955-2476
Fax: (800) 444-3380

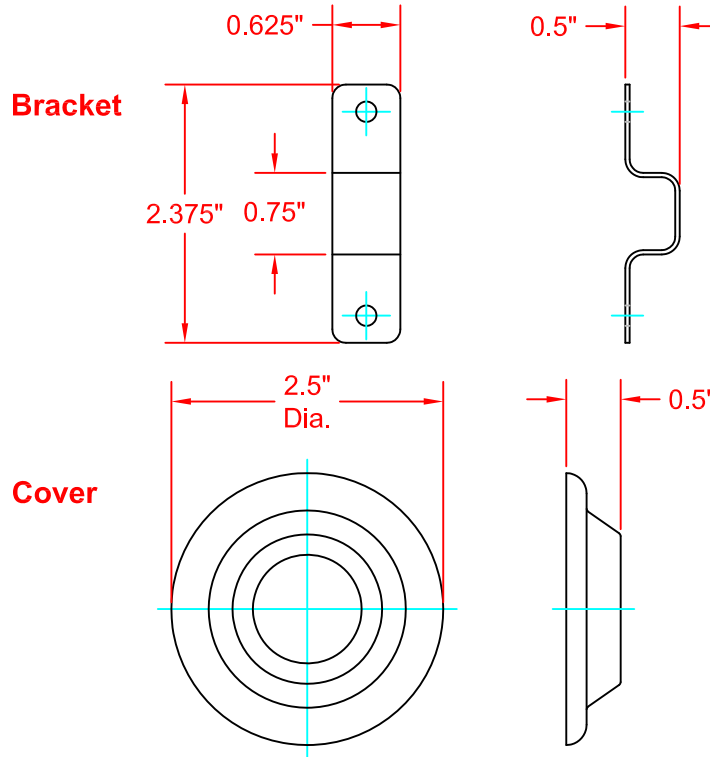
Description:

SCM-61-F Shower Rod Flange Set

Customer:

Customer Part #

08-24-2015



Specifications:

MATERIALS:

Shower Rod Flanges are stamped steel. Flange covers have a triple plated polished chrome finish.

Installation:

1. Position rod in shower opening in desired location.
2. Mark rod ends on walls.
3. Position brackets so that they are centered over rod outlines and mark mounting holes.
4. Drill starter holes.
5. Attach left bracket to wall using 1" screws (provided).
6. Slide left cover on left end of rod and mount on installed bracket.
7. Place right cover on right end of rod.
8. Insert right bracket into right end of rod.
9. Place end of rod in position and attach bracket to wall with 1" screws (provided).
10. snap covers into place over brackets.

Note: Wood blocking is preferable behind all wall surfaces. If wood blocking is not available, the following optional fasteners are suggested:
Tile/Masonry - Plastic or Lead Anchors; Plaster/Drywall - Toggle Bolts

This drawing and the information contained herein is proprietary to Seachrome Corp. and shall not be reproduced, copied or disclosed in whole, or part, or used for manufacturing or for any other purpose without the written permission of Seachrome Corporation.

This information is subject to change without formal notice. If you need any additional help, Seachrome Corporation has a technical support staff that is ready to assist you.