

SEACHROME

Seachrome Corporation
1906 East Dominguez Street
Long Beach, California 90810
Phone: (800) 955-2476
Fax: (800) 444-3380

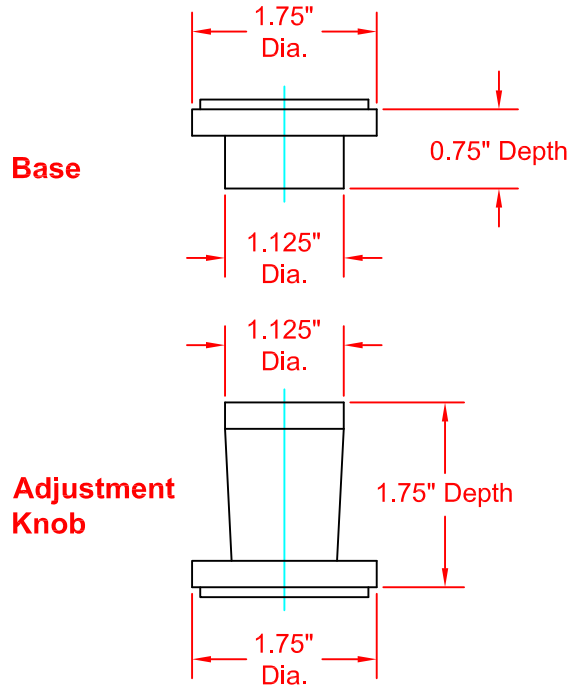
Description:

SCM-52-F Adjustable Shower Rod Flange Set

Customer:

Customer Part #

11-04-2014



Specifications:

MATERIALS:

52-F Flanges are cast from the highest quality zinc alloy (zamac). Castings are triple plated in a polished chrome finish. Flange feet are white rubber.

Installation:

1. Place flanges on both ends of shower rod.
2. Position rod assembly in desired location.
3. Tighten assembly against walls by twisting counter clockwise.

