

SEACHROME

SEACHROME CORPORATION

Phone: (800) 955-2476

Fax: (800) 444-3380

www.seachrome.com

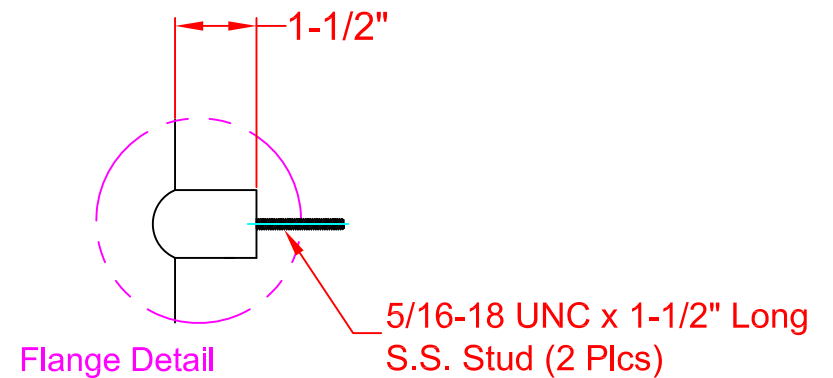
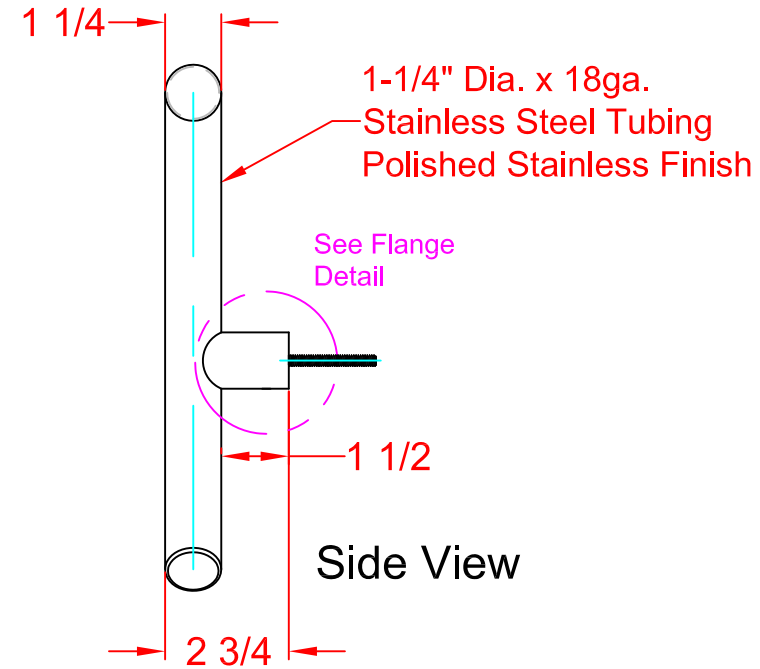
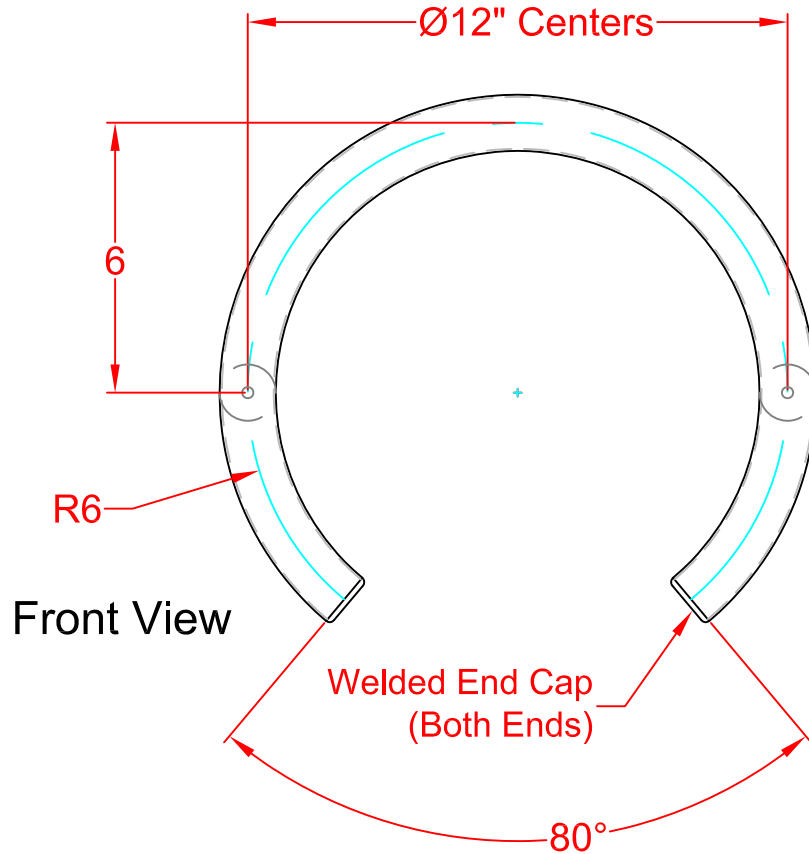
Description:

GW-4412-QNS-PS
Huntington Rear Mount Valve Grab Bar
(Polished Stainless Finish)

Customer:

Customer Part #

05-21-2012



This drawing and the information contained herein is proprietary to Seachrome Corp. and shall not be reproduced, copied or disclosed in whole, or part, or used for manufacturing or for any other purpose without the written permission of Seachrome Corporation.

SEACHROME

SEACHROME CORPORATION

Phone: (800) 955-2476

Fax: (800) 444-3380

www.seachrome.com

Description:

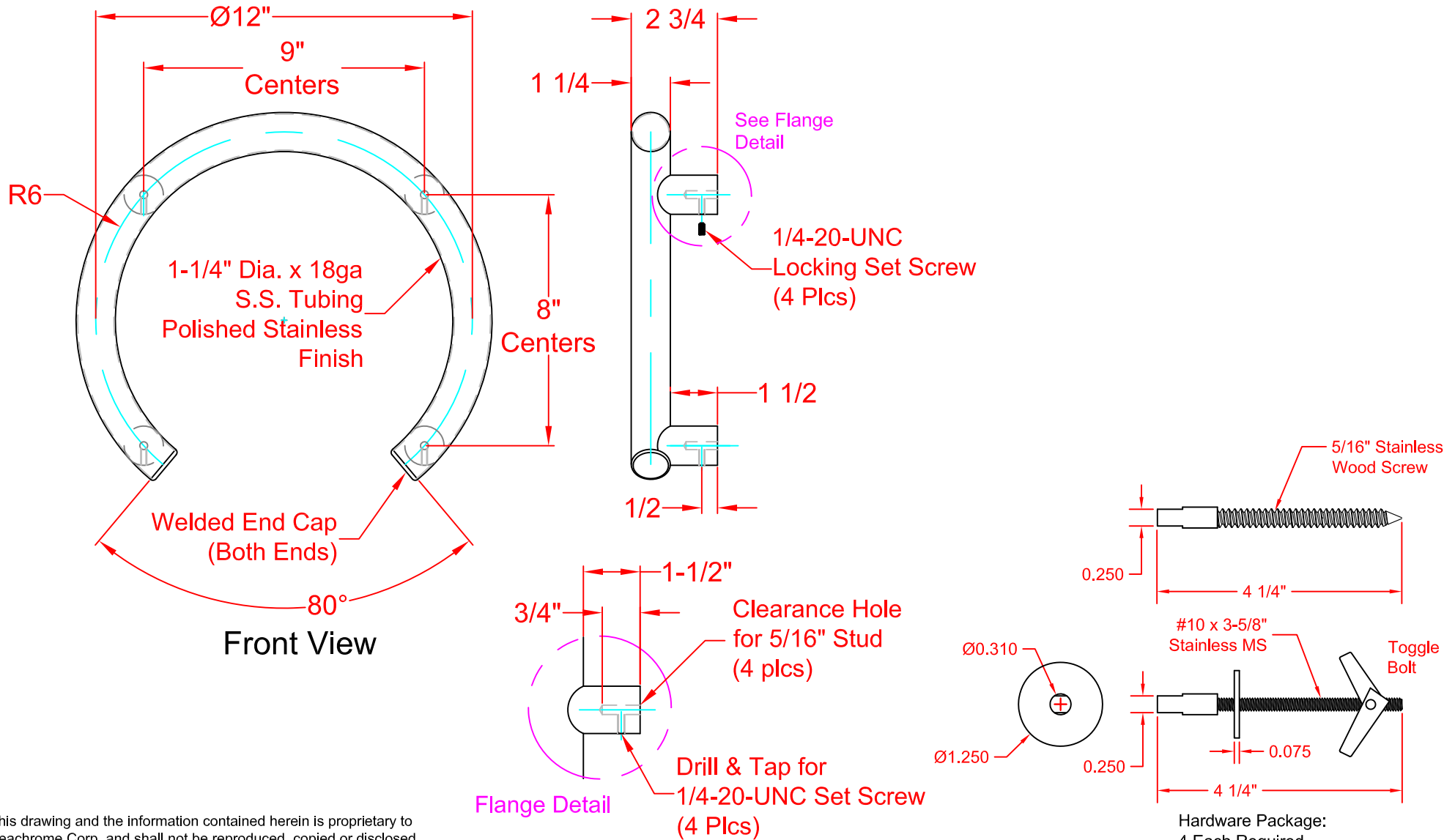
GW-4412-QNT-PS

Huntington Front Mount Shower Valve Grab Bar
(w/ Threaded Receivers)
(Polished Stainless Finish)

Customer:

Customer Part #

08-01-2012



This drawing and the information contained herein is proprietary to Seachrome Corp. and shall not be reproduced, copied or disclosed in whole, or part, or used for manufacturing or for any other purpose without the written permission of Seachrome Corporation.