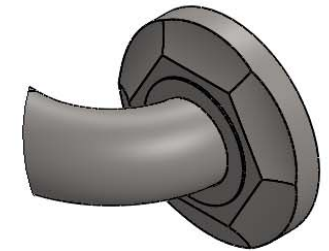
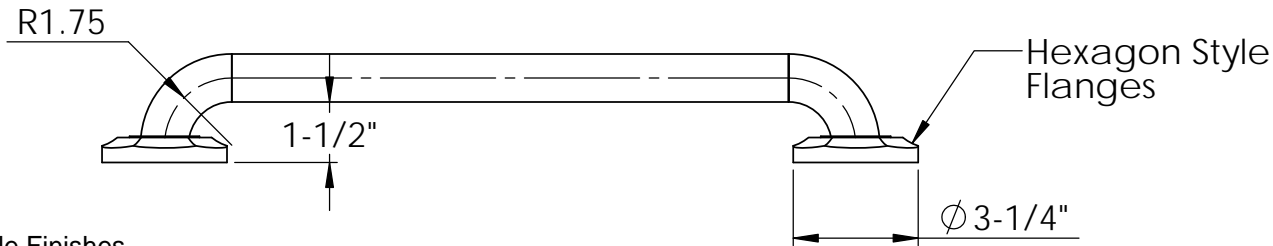
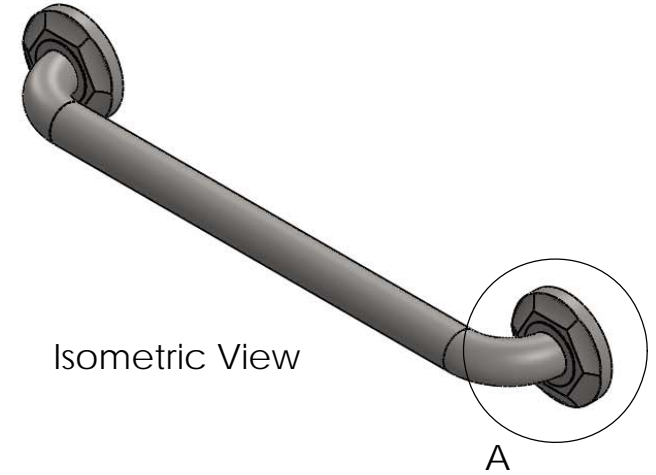
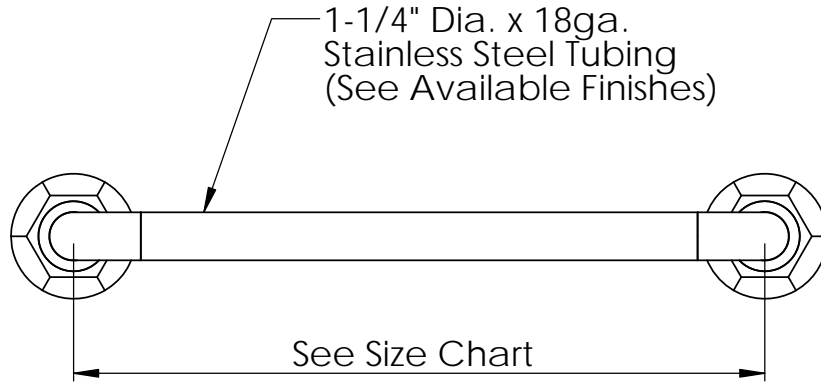


Grab Bar Size Chart

- GSS-180-QP6 (18" Grab Bar)
- GSS-240-QP6 (24" Grab Bar)
- GSS-360-QP6 (36" Grab Bar)
- GSS-420-QP6 (42" Grab Bar)
- GSS-480-QP6 (48" Grab Bar)



DETAIL A
SCALE 2 : 5

Available Finishes

- SS = Satin Stainless Finish
- PS = Polished Stainless

Powder Coat Colors

- WT = White
- AL = Almond
- BI = Biscuit
- PB = Polished Brass
- BK = Black
- WW = White Wrinkle
- AW = Almond Wrinkle
- SN = Satin Nickel
- BR = Bronze

PROPRIETARY AND CONFIDENTIAL
THE INFORMATION CONTAINED IN THIS DRAWING IS THE SOLE PROPERTY OF SEACHROME CORPORATION. ANY REPRODUCTION IN PART OR AS A WHOLE WITHOUT THE WRITTEN PERMISSION OF SEACHROME CORPORATION IS PROHIBITED.

		UNLESS OTHERWISE SPECIFIED:		NAME	DATE
		DIMENSIONS ARE IN INCHES	DRAWN	Montoya	12-19-12
		TOLERANCES:	CHECKED		
		FRACTIONAL ±	ENG APPR.		
		ANGULAR: MACH ± BEND ±	MFG APPR.		
		TWO PLACE DECIMAL ±	Q.A.		
		THREE PLACE DECIMAL ±	COMMENTS:		
		INTERPRET GEOMETRIC TOLERANCING PER:			
		MATERIAL			
		Ø 1-1/4" x 18ga S.S. Tubing			
		FINISH			
NEXT ASSY	USED ON				
APPLICATION		DO NOT SCALE DRAWING			

Seachrome Corporation

TITLE: **Coronado
Platinum Grab Bar
w/ Hexagon Flanges**

SIZE **A** DWG. NO. **GSS-QP6 (Series)**

SCALE: 1:5 WEIGHT: SHEET 1 OF 1