

SEACHROME

Seachrome Corporation
 1906 East Dominguez Street
 Long Beach, California 90810
 Phone: (800) 955-2476
 Fax: (800) 444-3380

Description:

FLOOR TO FLOOR STRADDLE BAR

Seachrome Part #

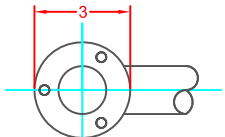
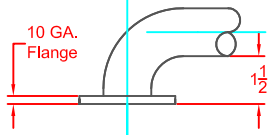
GSFS-Series

Customer Part #

04-16-2018

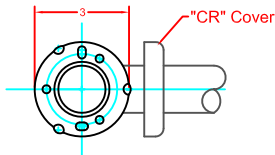
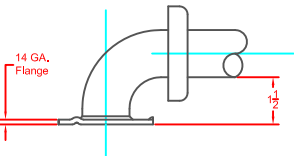
FLANGE STYLES

EXPOSED SCREW FLANGES



EW

CONCEALED SCREW FLANGES



CR

TUBING MATERIAL:

- "S" = Type 304 (18-8) Stainless Steel "B" = 260 Alloy Solid Brass
- "D" = PVD finish over type 304 (18-8) Stainless Steel (Specify Color _____)
- "P" = Powdercoated type 304 (18-8) Stainless Steel (Specify Color _____)

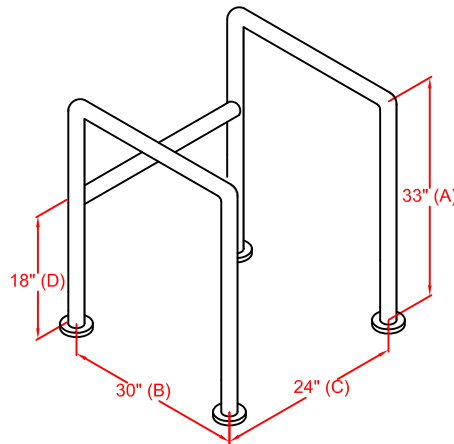
TUBING SIZE:

- "Q" = 1-1/4" (32mm) O.D. x .049" (18ga.) (1.2mm) Wall Thickness.
- "H" = 1-1/2" (38mm) O.D. x .049" (18ga.) (1.2mm) Wall Thickness

FLANGE STYLE:

The following mounting flanges are constructed of Type 304 (18-8) Stainless Steel, Heliarc Welded to the bar to form an intergral structural unit.

- "EW" 10 ga. (3.6mm) x 3" (76mm) dia.
- "CR" 14 ga. (2.0mm) x 3" (76mm) dia.



MADE IN THE USA

All bars meet Federal specifications WW-P 541/8b, Amendment 1, 16 April, 1990 ANSI 117.1 all FHA, VA & HUD specifications and

COMPLIES WITH ALL ADA REQUIREMENTS



All grab bars must only be installed using sufficient in-wall backing material.

S= Satin #304 Stainless Steel
 X= Polished #304 Stainless Steel
 Y= Peened w/satin ends
 Z= Peened w/polished ends
 B= Polished #260 Brass
 P= Powder Coated #304 Stainless
 D= PVD

	Dimension	Tubing	Flange
	"A" + "B" + "C" + "D"	Size	Style
Example: GSFS	-- 33302418	-- H	-- CR