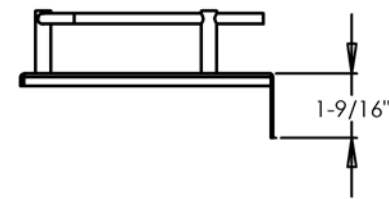
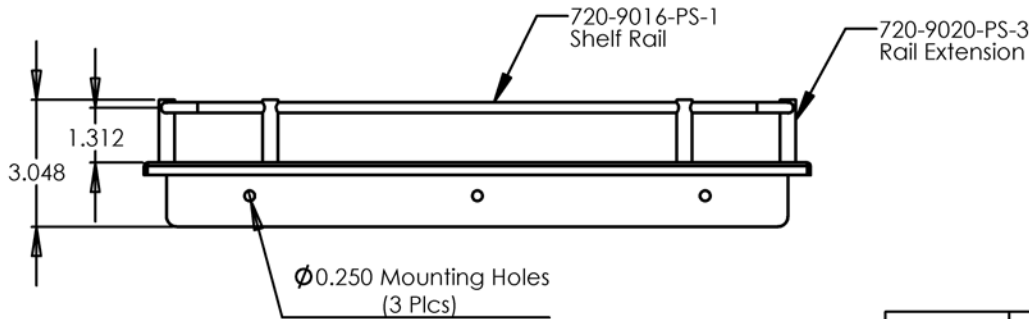
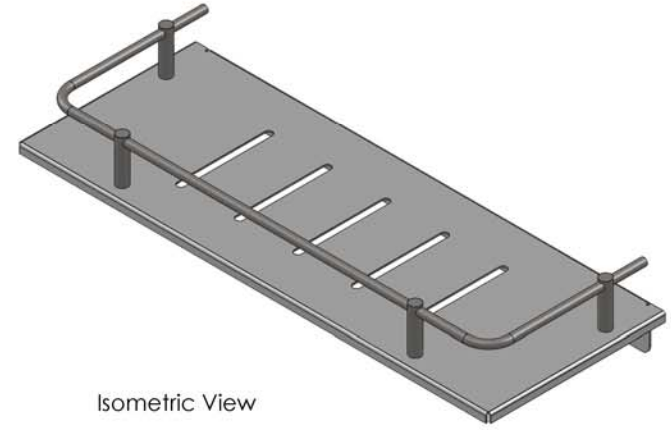
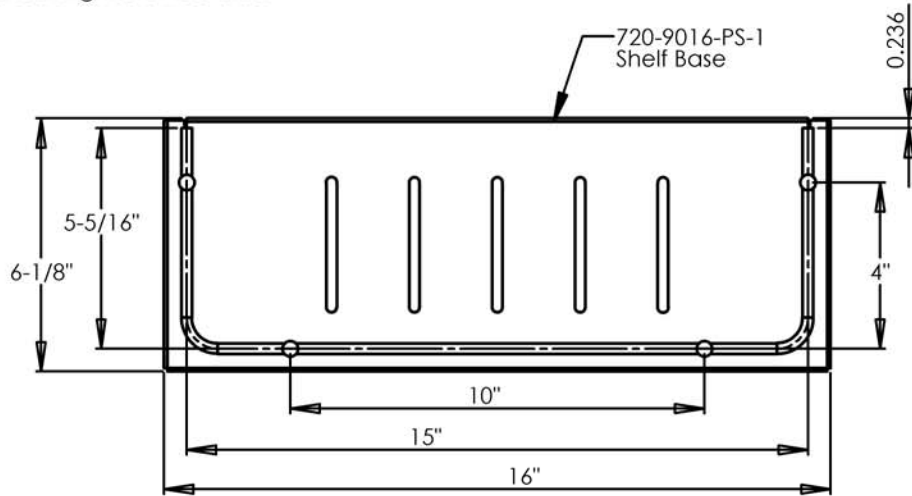


Material:
 Shelf Base... 16ga. Stainless Steel
 Shelf Rail... 1/2" Solid Stainless Steel Bar
 Rail Extension... 5/8" Dia. Stainless Steel

Finish:
 Polished Bright Stainless Steel



PROPRIETARY AND CONFIDENTIAL
 THE INFORMATION CONTAINED IN THIS DRAWING IS THE SOLE PROPERTY OF SEACHROME CORPORATION. ANY REPRODUCTION IN PART OR AS A WHOLE WITHOUT THE WRITTEN PERMISSION OF SEACHROME CORPORATION IS PROHIBITED.

		UNLESS OTHERWISE SPECIFIED:		NAME	DATE	Seachrome Corporation	
		DIMENSIONS ARE IN INCHES		DRAWN	Montloyd		07-17-15
		TOLERANCES:		CHECKED			TITLE:
		FRACTIONAL: \pm		ENG APPR.			720-9016-PS
		ANGULAR: MACH: \pm BEND: \pm		MFG APPR.			16" Sundries Shelf
		TWO PLACE DECIMAL: \pm		Q.A.		SIZE	
		THREE PLACE DECIMAL: \pm		PROJECT:		B	
		INTERPRET GEOMETRIC TOLERANCING PER:				DWG. NO.	
		MATERIAL				720-9016-PS	
NEXT ASSY	USED ON	FINISH				REV	
		Polished Stainless					
APPLICATION		DO NOT SCALE DRAWING				SCALE: 1:5	
						WEIGHT:	
						SHEET 1 OF 1	