

# SEACHROME

## LIST PRICE SHEET APRIL 2012

PHONE  
310-354-1220  
TOLL FREE  
800-955-2476

FAX  
310-527-2668  
TOLL FREE  
800-444-3380



### TABLE OF CONTENTS

Grab Bars	2-6
Hand Rails	6
Wellness Grab Bars	7
Accessibility Seats	8-10
Coronado Accessories	11-15
Americana Accessories	16
Stainless Accessories	16
Shower Rods & Curtains	17
Cal Series	18-19
Commercial Accessories	20
Recessed Fixtures	21
Restroom Signs	21
Mirrors	22
Medicine Cabinets	22
Terms & Conditions	23

**GRAB BARS**

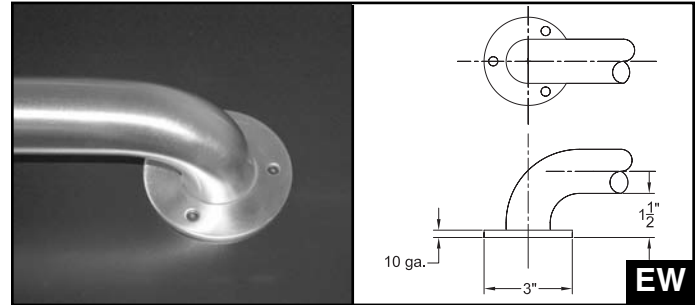
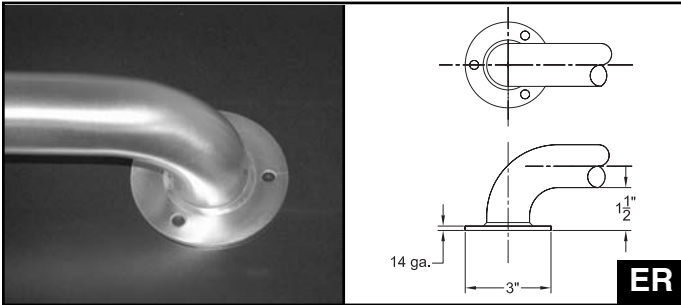
MADE IN U.S.A.



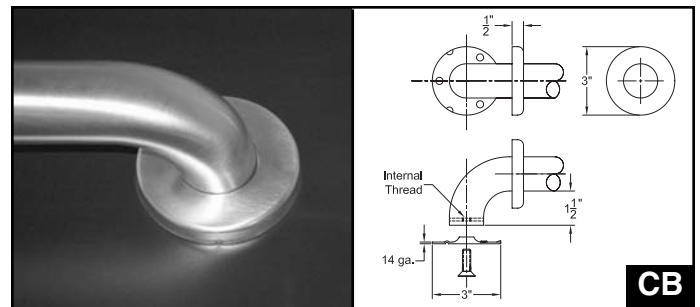
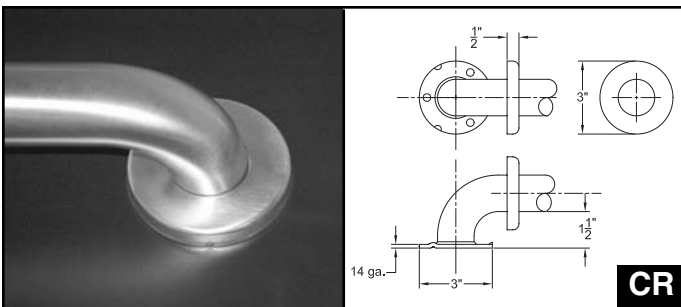
ALL "ER," "EW" & "CR" FLANGE, STAINLESS BARS MEET FEDERAL SPECIFICATION WW-P-541/8b, AMENDMENT 1, 16 APRIL 1990; ANSI 117.1, AND ALL A.D.A. (Americans with Disabilities Act) CODE REQUIREMENTS. THESE BARS, WHEN PROPERLY INSTALLED, MEET THE DOWNWARD PULL REQUIREMENT FOR FEDERAL SPECIFICATION WORK, F.H.A., V.A. HOSPITAL CODES AND PRIVATE CONSTRUCTION



**EXPOSED SCREW FLANGES**



**CONCEALED SCREW FLANGES**



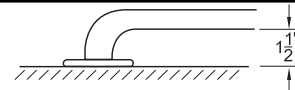
**MATERIAL & FINISH SERIES**

- "GS" Satin #304 Stainless Steel
- "GX" Polished #304 Stainless Steel
- "GY" Peened w/satin ends #304 Stainless Steel
- "GZ" Peened w/polished ends #304 Stainless Steel
- "GB" Polished #260 Solid Brass
- "GP" Powder Coated #304 Stainless Steel

**BAR DIAMETERS**

- "H" 1-1/2" dia. x .049" (18 ga)
- "Q" 1-1/4" dia. x .049" (18 ga)

**STANDARD WALL CLEARANCE**

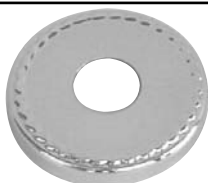


**TO ORDER – SPECIFY**

Example	Series	Dimension	Flange
GST-240360-HCR2 =	GS + T	+ 240360+ H	+ CR2
	Configuration		Bar Dia

**DECORATIVE CONCEALED FLANGE COVERS**

Add \$5.00 List per flange



ROPE "2"



RIDGE "3"



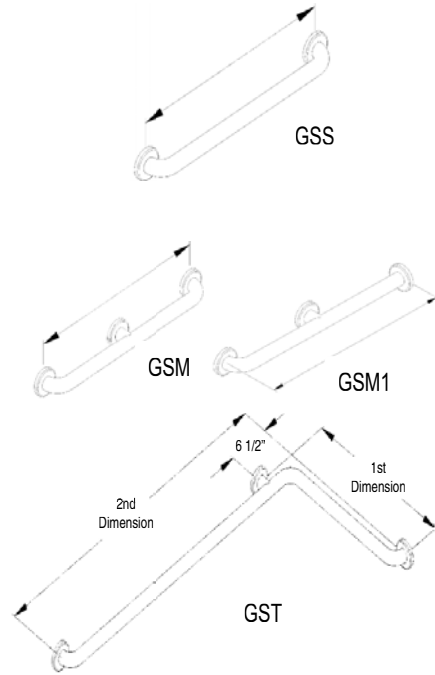
STEP "4"



BAND "5"

**SEACHROME SPECIALIZES IN CUSTOM SIZES AND CONFIGURATIONS  
CALL FOR TECHNICAL ASSISTANCE & COMPETITIVE PRICE QUOTES**

**SATIN STAINLESS – “GS” SERIES**

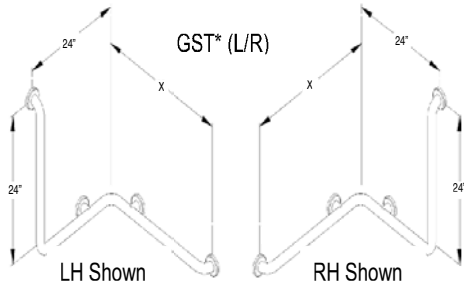


**"S" STRAIGHT BARS**

Item #	Length	QER	HER	QEW	HEW	QCR	HCR
GSS-120	12"	24.00	28.20	28.10	30.70	28.60	31.30
GSS-160	16"	26.10	29.15	29.60	31.25	30.15	31.80
GSS-180	18"	27.10	31.25	30.65	32.50	31.30	33.05
GSS-240	24"	29.50	34.60	33.05	36.75	33.70	37.45
GSS-300	30"	32.35	36.60	36.00	38.75	36.70	39.50
GSS-320	32"	34.20	39.10	38.05	41.10	38.75	41.90
GSS-360	36"	35.80	40.85	39.30	43.30	40.05	44.10
GSS-420	42"	38.20	44.05	42.50	45.35	43.30	45.35
GSS-480	48"	40.50	46.85	44.35	48.85	45.20	49.80

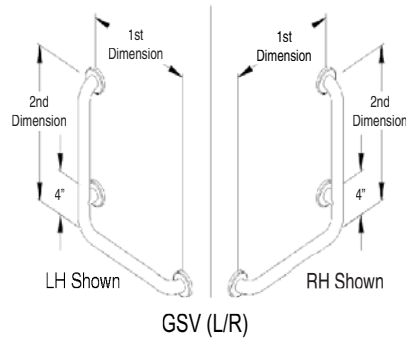
**"M" STRAIGHT BARS WITH CENTER POST**

Item #	Length	QER	HER	QEW	HEW	QCR	HCR
GSM-360	36"	71.20	77.15	75.65	82.65	75.65	82.65
GSM-420	42"	75.40	81.50	88.20	91.75	88.20	91.75
GSM-480	48"	76.60	86.85	91.60	99.40	91.60	99.40
GSM-520	52"	81.05	90.45	94.95	104.00	94.95	104.00
GSM-540	54"	82.50	92.55	97.45	105.80	97.45	105.80
GSM-600	60"	89.15	99.70	101.35	111.35	101.35	111.35



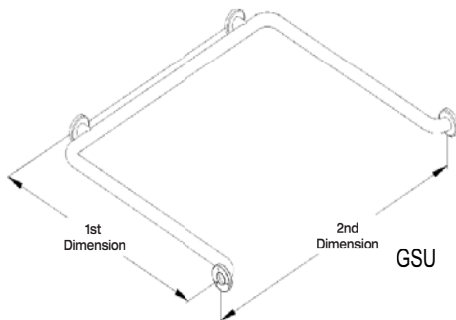
**"T" TUB & SHOWER BARS (REVERSIBLE)**

Item #	Length	QER	HER	QEW	HEW	QCR	HCR
GST-160160	16"x16"	97.50	108.45	101.60	119.95	101.60	119.95
GST-160320	16"x32"	101.50	113.85	105.60	123.60	105.60	123.60
GST-240240	24"x24"	101.50	113.85	105.60	123.60	105.60	123.60
GST-200400	20"x40"	109.25	124.90	118.35	140.20	118.35	140.20
GST-240360	24"x36"	109.25	124.90	118.35	140.20	118.35	140.20
GST-240480	24"x48"	117.35	137.25	130.90	151.40	130.90	151.40
GST-300300	30"x30"	109.25	124.90	118.35	140.20	118.35	140.20
GST-360360	36"x36"	117.35	137.25	130.90	151.40	130.90	151.40
GST-360480	36"x48"	127.40	145.15	142.85	161.30	142.85	161.30
GST-360540	36"x54"	140.35	150.30	148.70	166.35	148.70	166.35



**"2 WAY" TUB / SHOWER BAR \*(DESIGNATE RH OR LH)**

Item #	Length	QER	HER	QEW	HEW	QCR	HCR
GS*(L/R)-360240	"24 X 24"x36	244.90	269.80	269.80	282.90	269.80	282.90
GS*(L/R)-480240	"24 X 24"x48	271.35	296.35	296.35	309.40	296.35	309.40
GS*(L/R)-520240	"24 X 24"x54	285.30	310.30	310.30	323.80	310.30	323.80

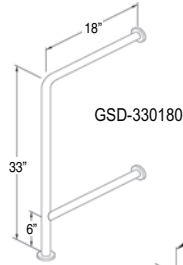


**"V" VERTICAL ANGLE BARS \*(DESIGNATE RH OR LH)**

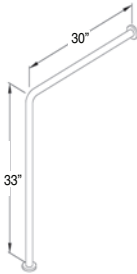
Item #	Length	QER	HER	QEW	HEW	QCR	HCR
GSV*(L/R)-160160	16"x16"	97.50	108.45	101.60	119.95	101.60	119.95
GSV*(L/R)-200200	20"x20"	99.50	102.60	103.60	121.95	103.60	121.95
GSV*(L/R)-240240	24"x24"	101.50	113.85	105.60	123.60	105.60	123.60
GSV*(L/R)-300300	30"x30"	109.25	124.90	118.35	140.20	118.35	140.20
GSV*(L/R)-160320	16"x32"	101.50	113.85	105.60	123.60	105.60	123.60

**"U" U-SHAPED SHOWER BARS**

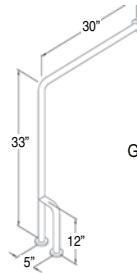
Item #	Length	QER	HER	QEW	HEW	QCR	HCR
GSU-300360	30"x36"x30"	232.20	245.30	245.30	258.35	245.30	258.35
GSU-300480	30"x48"x30"	245.30	258.35	258.35	269.80	258.35	269.80
GSU-300540	30"x54"x30"	258.35	269.80	269.80	282.90	269.80	282.90
GSU-300600	30"x60"x30"	274.65	286.10	286.10	299.30	286.10	299.30



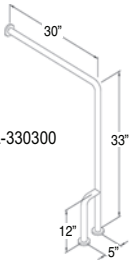
GSD-330180



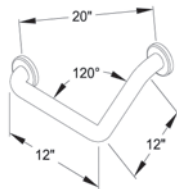
GSW-330300



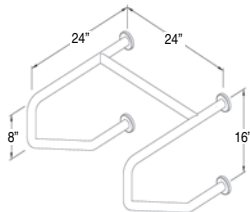
GSWR-330300



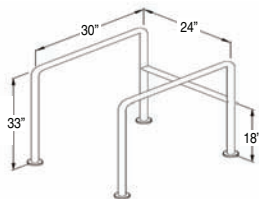
GSWL-330300



GSB-120120



GSWW-240240



GSFS-330300

**"D" DRINKING FOUNTAIN BAR**

Item #	Length	QER	HER	QEW	HEW	QCR	HCR
GSD-330180	33"x18"	139.35	148.00	143.30	153.45	143.30	153.45

**"W" WALL-TO-FLOOR BAR**

Item #	Length	QER	HER	QEW	HEW	QCR	HCR
GSW-330300	33"x30"	98.40	118.30	113.30	133.35	113.30	133.35

**"WR" (RH) or "WL" (LH) WALL-TO-FLOOR BARS w/ side leg**

Item #	Length	QER	HER	QEW	HEW	QCR	HCR
GSWR-330300	33"x30"	169.65	189.70	184.75	204.80	184.75	204.80
GSWL-330300	33"x30"	169.65	189.70	184.75	204.80	184.75	204.80

**BOOMERANG**

Item #	Length	QER	HER	QEW	HEW	QCR	HCR
GSB-120120	12"X12"	61.75	67.75	65.50	71.50	65.50	71.50

**WALL TO WALL STRADDLE**

Item #	Length	QER	HER	QEW	HEW	QCR	HCR
GSWW-240240	24"X24"	---	---	316.25	330.45	316.25	330.45

**FLOOR TO FLOOR STRADDLE**

Item #	Length	QER	HER	QEW	HEW	QCR	HCR
GSFS-330300	33" X30"	---	---	439.00	458.65	439.00	458.65

ALL SEACHROME SIGNATURE AND WELLNESS SERIES GRAB BARS ARE COMPATIBLE WITH WINGIT FASTENERS

WINGIT FASTENERS  
SCW-RESGBW35  
SCW-GBW40



SCW-RESGBW35



SCW-GBW40

GRAB BARS & HANDRAILS: ADDITIONAL ITEMS

SCW-RESGBW35	GRAB BAR WINGIT FASTENER	\$18.50/2 PAIR
SCW-GBW40	COMMERCIAL STANDARD GRAB BAR WINGIT FASTENER	\$36.00/EACH
	SIDE LEG SUPPORT	\$67.00/EACH
	QCR/HCR WALL MOUNT SUPPORT - GRAB BARS	\$45.00/EACH
	HCU UNDER SLUNG SUPPORT - HANDRAILS	\$45.00/EACH
	HEU UNDER SLUNG SUPPORT - HANDRAILS	\$48.90/EACH
	STAINLESS STEEL WELDED END CAPS	\$26.70/EACH

LIST PRICE  
\$18.50/2 PAIR  
\$36.00/EACH  
\$67.00/EACH  
\$45.00/EACH  
\$45.00/EACH  
\$48.90/EACH  
\$26.70/EACH

**SPECIALTY STAINLESS BARS**

**POLISHED STAINLESS  
"GX" SERIES**

**"Q" 1-1/4" TUBE DIA.**

Item #	Size	List
<b>"S" STRAIGHT</b>		
GXS-120-QCR	12"	43.20
GXS-160-QCR	16"	49.35
GXS-180-QCR	18"	52.80
GXS-240-QCR	24"	62.20
GXS-300-QCR	30"	72.00
GXS-320-QCR	32"	76.50
GXS-360-QCR	36"	82.35
GXS-420-QCR	42"	92.50
GXS-480-QCR	48"	101.35
<b>"T" TUB &amp; SHOWER</b>		
GXT-160160-QCR	16"x16"	134.60
GXT-160320-QCR	16"x32"	156.55
GXT-240240-QCR	24"x24"	156.55
GXT-200400-QCR	20"x40"	182.60
GXT-240360-QCR	24"x36"	182.50
GXT-240480-QCR	24"x48"	207.10
GXT-300300-QCR	30"x30"	182.50
GXT-360360-QCR	36"x36"	207.10
GXT-360480-QCR	36"x48"	233.90
GXT-360540-QCR	36"x54"	245.95
<b>"V" VERTICAL ANGLE (Designate R or L)</b>		
GXV-160160-QCR	16"x16"	134.60
GXV-200200-QCR	20"x20"	145.50
GXV-240240-QCR	24"x24"	156.50
GXV-300300-QCR	30"x30"	182.50
GXV-160320-QCR	16"x32"	156.50

**"H" 1-1/2" TUBE DIA.**

Item #	Size	List
<b>"S" STRAIGHT</b>		
GXS-120-HCR	12"	46.10
GXS-160-HCR	16"	51.10
GXS-180-HCR	18"	54.60
GXS-240-HCR	24"	66.00
GXS-300-HCR	30"	74.90
GXS-320-HCR	32"	79.70
GXS-360-HCR	36"	86.50
GXS-420-HCR	42"	95.60
GXS-480-HCR	48"	106.05
<b>"T" TUB &amp; SHOWER</b>		
GXT-160160-HCR	16"x16"	152.15
GXT-160320-HCR	16"x32"	179.90
GXT-240240-HCR	24"x24"	173.90
GXT-200400-HCR	20"x40"	203.65
GXT-240360-HCR	24"x36"	203.65
GXT-240480-HCR	24"x48"	228.10
GXT-300300-HCR	30"x30"	203.65
GXT-360360-HCR	36"x36"	228.10
GXT-360480-HCR	36"x48"	251.30
GXT-360540-HCR	36"x54"	262.90
<b>"V" VERTICAL ANGLE (Designate R or L)</b>		
GXV-160160-HCR	16"x16"	152.15
GXV-200200-HCR	20"x20"	163.15
GXV-240240-HCR	24"x24"	173.90
GXV-300300-HCR	30"x30"	203.65
GXV-160320-HCR	16"x32"	173.90

**PEENED w/ SATIN ENDS  
"GY" SERIES**

**"Q" 1-1/4" TUBE DIA.**

Item #	Size	List
<b>"S" STRAIGHT</b>		
GYS-120-QCR	12"	34.60
GYS-160-QCR	16"	38.35
GYS-180-QCR	18"	40.55
GYS-240-QCR	24"	46.15
GYS-300-QCR	30"	52.40
GYS-320-QCR	32"	55.50
GYS-360-QCR	36"	58.95
GYS-420-QCR	42"	65.40
GYS-480-QCR	48"	70.50
<b>"T" TUB &amp; SHOWER</b>		
GYT-160160-QCR	16"x16"	110.65
GYT-160320-QCR	16"x32"	123.05
GYT-240240-QCR	24"x24"	123.05
GYT-200400-QCR	20"x40"	141.25
GYT-240360-QCR	24"x36"	141.25
GYT-240480-QCR	24"x48"	158.20
GYT-300300-QCR	30"x30"	141.25
GYT-360360-QCR	36"x36"	158.20
GYT-360480-QCR	36"x48"	176.80
GYT-360540-QCR	36"x54"	185.60
<b>"V" VERTICAL ANGLE (Designate R or L)</b>		
GYV-160160-QCR	16"x16"	110.65
GYV-200200-QCR	20"x20"	124.15
GYV-240240-QCR	24"x24"	123.05
GYV-300300-QCR	30"x30"	141.25
GYV-160320-QCR	16"x32"	123.05

**"H" 1-1/2" TUBE DIA.**

Item #	Size	List
<b>"S" STRAIGHT</b>		
GYS-120-HCR	12"	37.30
GYS-160-HCR	16"	40.00
GYS-180-HCR	18"	42.20
GYS-240-HCR	24"	49.80
GYS-300-HCR	30"	55.10
GYS-320-HCR	32"	58.55
GYS-360-HCR	36"	62.90
GYS-420-HCR	42"	68.30
GYS-480-HCR	48"	75.00
<b>"T" TUB &amp; SHOWER</b>		
GYT-160160-HCR	16"x16"	127.40
GYT-160320-HCR	16"x32"	139.50
GYT-240240-HCR	24"x24"	139.50
GYT-200400-HCR	20"x40"	161.35
GYT-240360-HCR	24"x36"	161.45
GYT-240480-HCR	24"x48"	178.10
GYT-300300-HCR	30"x30"	161.35
GYT-360360-HCR	36"x36"	178.10
GYT-360480-HCR	36"x48"	193.80
GYT-360540-HCR	36"x54"	201.70
<b>"V" VERTICAL ANGLE (Designate R or L)</b>		
GYV-160160-HCR	16"x16"	127.45
GYV-200200-HCR	20"x20"	133.60
GYV-240240-HCR	24"x24"	139.50
GYV-300300-HCR	30"x30"	161.35
GYV-160320-HCR	16"x32"	139.50

**PEENED w/ POLISHED ENDS  
"GZ" SERIES**

**"Q" 1-1/4" TUBE DIA.**

Item #	Size	List
<b>"S" STRAIGHT</b>		
GZS-120-QCR	12"	41.70
GZS-160-QCR	16"	45.60
GZS-180-QCR	18"	48.45
GZS-240-QCR	24"	53.80
GZS-300-QCR	30"	60.75
GZS-320-QCR	32"	63.50
GZS-360-QCR	36"	67.10
GZS-420-QCR	42"	73.35
GZS-480-QCR	48"	78.30
<b>"T" TUB &amp; SHOWER</b>		
GZT-160160-QCR	16"x16"	120.85
GZT-160320-QCR	16"x32"	138.25
GZT-240240-QCR	24"x24"	138.25
GZT-200400-QCR	20"x40"	160.30
GZT-240360-QCR	24"x36"	160.30
GZT-240480-QCR	24"x48"	181.20
GZT-300300-QCR	30"x30"	160.30
GZT-360360-QCR	36"x36"	181.20
GZT-360480-QCR	36"x48"	203.30
GZT-360540-QCR	36"x54"	214.00
<b>"V" VERTICAL ANGLE (Designate R or L)</b>		
GZV-160160-QCR	16"x16"	120.85
GZV-200200-QCR	20"x20"	129.50
GZV-240240-QCR	24"x24"	138.25
GZV-300300-QCR	30"x30"	160.30
GZV-160320-QCR	16"x32"	138.25

**"H" 1-1/2" TUBE DIA.**

Item #	Size	List
<b>"S" STRAIGHT</b>		
GZS-120-HCR	12"	43.90
GZS-160-HCR	16"	47.20
GZS-180-HCR	18"	50.20
GZS-240-HCR	24"	57.45
GZS-300-HCR	30"	63.50
GZS-320-HCR	32"	66.55
GZS-360-HCR	36"	72.15
GZS-420-HCR	42"	76.15
GZS-480-HCR	48"	82.60
<b>"T" TUB &amp; SHOWER</b>		
GZT-160160-HCR	16"x16"	136.45
GZT-160320-HCR	16"x32"	154.60
GZT-240240-HCR	24"x24"	154.60
GZT-200400-HCR	20"x40"	180.30
GZT-240360-HCR	24"x36"	180.30
GZT-240480-HCR	24"x48"	200.90
GZT-300300-HCR	30"x30"	180.30
GZT-360360-HCR	36"x36"	200.90
GZT-360480-HCR	36"x48"	220.30
GZT-360540-HCR	36"x54"	230.00
<b>"V" VERTICAL ANGLE (Designate R or L)</b>		
GZV-160160-HCR	16"x16"	137.50
GZV-200200-HCR	20"x20"	146.30
GZV-240240-HCR	24"x24"	154.60
GZV-300300-HCR	30"x30"	180.30
GZV-160320-HCR	16"x32"	154.60

DECORATIVE BARS

POLISHED SOLID BRASS  
"GB SERIES"

"Q" 1-1/4" TUBE DIA.

Item #	Size	List
<b>"S" STRAIGHT</b>		
GBS-120-QCB	12"	80.90
GBS-160-QCB	16"	84.80
GBS-180-QCB	18"	87.25
GBS-240-QCB	24"	99.85
GBS-300-QCB	30"	111.65
GBS-320-QCB	32"	114.45
GBS-360-QCB	36"	125.65
GBS-420-QCB	42"	143.05
GBS-480-QCB	48"	173.75
<b>"T" TUB &amp; SHOWER</b>		
GBT-160160-QCB	16"x16"	183.25
GBT-160320-QCB	16"x32"	237.55
GBT-240240-QCB	24"x24"	237.55
GBT-200400-QCB	20"x40"	305.50
GBT-240360-QCB	24"x36"	305.50
GBT-240480-QCB	24"x48"	366.55
GBT-300300-QCB	30"x30"	305.50
GBT-360360-QCB	36"x36"	366.55
GBT-360480-QCB	36"x48"	427.70
GBT-360540-QCB	36"x54"	454.80
<b>"V" VERTICAL ANGLE (Designate R or L)</b>		
GBV-160160-QCB	16"x16"	183.25
GBV-200200-QCB	20"x20"	210.45
GBV-240240-QCB	24"x24"	237.55
GBV-300300-QCB	30"x30"	305.50
GBV-160320-QCB	16"x32"	237.55

POWDER COATED STAINLESS  
"GP SERIES"

"Q" 1-1/4" TUBE DIA.

Item #	Size	List
<b>"S" STRAIGHT</b>		
GPS-120-QCR	12"	48.90
GPS-160-QCR	16"	52.55
GPS-180-QCR	18"	55.00
GPS-240-QCR	24"	62.33
GPS-300-QCR	30"	69.70
GPS-320-QCR	32"	72.15
GPS-360-QCR	36"	75.80
GPS-420-QCR	42"	81.90
GPS-480-QCR	48"	89.20
<b>"T" TUB &amp; SHOWER</b>		
GPT-160160-QCR	16"x16"	107.00
GPT-160320-QCR	16"x32"	122.90
GPT-240240-QCR	24"x24"	122.90
GPT-200400-QCR	20"x40"	143.05
GPT-240360-QCR	24"x36"	143.05
GPT-240480-QCR	24"x48"	162.15
GPT-300300-QCR	30"x30"	143.05
GPT-360360-QCR	36"x36"	162.15
GPT-360480-QCR	36"x48"	182.00
GPT-360540-QCR	36"x54"	191.40
<b>"V" VERTICAL ANGLE (Designate R or L)</b>		
GPV-160160-QCR	16"x16"	107.00
GPV-200200-QCR	20"x20"	114.90
GPV-240240-QCR	24"x24"	122.90
GPV-300300-QCR	30"x30"	143.05
GPV-160320-QCR	16"x32"	122.90

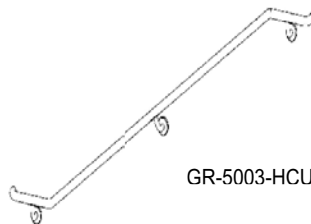
"H" 1-1/2" TUBE DIA.

Item #	Size	List
<b>"S" STRAIGHT</b>		
GPS-120-HCR	12"	53.80
GPS-160-HCR	16"	58.65
GPS-180-HCR	18"	61.10
GPS-240-HCR	24"	77.00
GPS-300-HCR	30"	80.20
GPS-320-HCR	32"	80.10
GPS-360-HCR	36"	85.59
GPS-420-HCR	42"	91.70
GPS-480-HCR	48"	99.00
<b>"T" TUB &amp; SHOWER</b>		
GPT-160160-HCR	16"x16"	121.05
GPT-160320-HCR	16"x32"	136.65
GPT-240240-HCR	24"x24"	136.65
GPT-200400-HCR	20"x40"	159.90
GPT-240360-HCR	24"x36"	159.90
GPT-240480-HCR	24"x48"	178.95
GPT-300300-HCR	30"x30"	159.90
GPT-360360-HCR	36"x36"	178.95
GPT-360480-HCR	36"x48"	196.30
GPT-360540-HCR	36"x54"	205.00
<b>"V" VERTICAL ANGLE (Designate R or L)</b>		
GPV-160160-HCR	16"x16"	121.05
GPV-200200-HCR	20"x20"	125.80
GPV-240240-HCR	24"x24"	136.65
GPV-300300-HCR	30"x30"	159.90
GPV-160320-HCR	16"x32"	136.65

HANDRAILS	DESCRIPTION	SS	PS	PC
GR-5001-HCU	36" HANDRAIL W / UNDER SLUNG SUPPORT & WELDED END CAPS	\$241.40	\$321.25	\$293.25
	48" HANDRAIL W / UNDER SLUNG SUPPORT & WELDED END CAPS	\$274.80	\$337.35	\$305.90
	60" HANDRAIL W / UNDER SLUNG SUPPORT & WELDED END CAPS	\$308.15	\$441.35	\$394.55
	72" HANDRAIL W / UNDER SLUNG SUPPORT & WELDED END CAPS	\$341.50	\$501.35	\$445.20
GR-5002-HEU	36" HANDRAIL W / UNDER SLUNG SUPPORT & WELDED END CAPS	\$251.20	\$331.10	\$303.00
	48" HANDRAIL W / UNDER SLUNG SUPPORT & WELDED END CAPS	\$284.55	\$391.10	\$353.65
	60" HANDRAIL W / UNDER SLUNG SUPPORT & WELDED END CAPS	\$317.90	\$451.10	\$404.30
	72" HANDRAIL W / UNDER SLUNG SUPPORT & WELDED END CAPS	\$351.25	\$511.10	\$454.95
GR-5003-HCU	CALL FOR TECHNICAL ASSISTANCE + CUSTOM QUOTES			



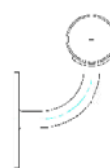
GR-5002-HEU-SS



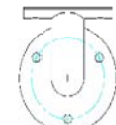
GR-5003-HCU-SS



GR-5001-HCU-SS



HEU SUPPORT



HCU SUPPORT

**Wellness Series Bars**

SS = SATIN STAINLESS FINISH  
 PS = POLISHED STAINLESS  
 QCR = 1 1/4 BAR  
 HCR = 1 1/2 BAR

PC= POWDER COAT

WT= WHITE  
 AL=ALMOND  
 BI=BISCUIT  
 PB = POLISHED BRASS  
 BK=BLACK

WW= WHITE WRINKLE  
 AW=ALMOND WRINKLE  
 SN=SATIN NICKEL  
 BR=BRONZE

ITEM#	DESCRIPTION	SS - QCR	SS - HCR	PS - QCR	PS-HCR	PC-QCR	PC-HCR
GW-3016	WEDGE BAR	110.00	115.00	131.00	137.00	131.00	137.00
GW-3130	MAVERICK DOUBLE ARCHED GRAB BAR 30"	125.00	132.00	154.00	161.00	154.00	161.00
GW-3230	HALF-MOON BAY CURVED BAR W TOWEL BAR 30"	135.00	142.00	166.00	174.00	166.00	174.00
GWL/R-3330	PISMO CURVED BAR W / TPH 30"	140.00	145.00	167.00	176.00	167.00	176.00
GW-3430	CRESCENT GRAB BAR 30"	125.00	132.00	154.00	161.00	154.00	161.00
GW-3518	WAVE BAR 18"	97.00	100.00	127.00	132.00	127.00	132.00
GW-3524	WAVE BAR 24"	100.00	105.00	131.00	137.00	131.00	137.00
GW-3536	WAVE BAR 36"	107.00	112.00	138.00	143.00	138.00	143.00
GW-3548	WAVE BAR 48"	115.00	120.00	146.00	151.00	146.00	151.00
GWL/R-3638	ZUMA BAR 16" X 12" X 16"	125.00	132.00	154.00	161.00	154.00	161.00
GWL/R-3730	PIANO CURVED BAR W / TOWEL BAR 30"	150.00	155.00	177.00	186.00	177.00	186.00
GW-3830	U-BAR W / TOWEL BAR	125.00	N/A	147.00	N/A	147.00	N/A
GW-3930	NEWPORT BAR W / TOWEL BAR	110.00	124.00	132.00	146.00	132.00	146.00
GW-4130	SWING UP-BAR	308.00	N/A	425.00	N/A	425.00	N/A
GW-4236	WALL-TO-WALL SWING-AWAY BAR	364.00	N/A	488.00	N/A	488.00	N/A
GW-4339	WALL-TO-FLOOR SWING-AWAY BAR	395.00	N/A	525.00	N/A	525.00	N/A
GW-4412-QNS	HUNTINGTON SHOWER VALVE BAR 12" REAR MOUNT	105.00	N/A	123.00	N/A	130.00	N/A
GW-4412-QNT	HUNTINGTON SHOWER VALVE BAR 12" FRONT MOUNT	115.00	N/A	133.00	N/A	140.00	N/A



**ACCESSIBILITY SEATS**

**SPECIFY SEAT MATERIAL**

NW	Naugahyde White Cushion
NA	Naugahyde Almond Cushion
PW	Phenolic White 3" Slats
PWS	Phenolic White 1-Piece Solid
PT	Phenolic Teak 3" Slats
PTS	Phenolic Teak 1-Piece Solid
HW	HDPE - 1 Piece Solid

**SS = Solid Surface  
Group A / SS-A**

SAPS	=Aspen Putty
SSCS	=Sanded Cream
SPBS	=Basalt
SPFS	=Frost
SPES	=Ebony
SPGS	=Gold
SPCS	=Copper

**SS = Solid Surface  
Group B / SS-B**

SQPS	=Quarry Palisade
STZS	=Tempest Zenith
SCBS	=Coffee Bean

All Seachrome seats meet Federal Specification WW-P-541/8b and all ADA code requirements (250 pounds of force) when properly installed

For EXTRA HEAVY load requirements, select SSL2, SSR2 or SSB2 Models which will support in excess of 900 pounds of force, when properly installed.

**SHOWER SEATS**

**BENCH SEATS**

Item #	Size	Cube	Lbs	NW NA	PW PT	HW PWS PTS	SS-A	SS-B
SSB-180150	Bench Style Shower Seat 18" X 15"	3.31	16	286.00	343.00	343.00	495.00	580.00
SSB-220150	Bench Style Shower Seat 22" x 15"	3.31	18	317.00	375.00	375.00	580.00	690.00
SSB-240150	Bench Style Shower Seat 24" x 15"	3.31	19	333.00	390.00	390.00	590.00	705.00
SSB-280150	Bench Style Shower Seat 28" x 15"	3.31	20	359.00	416.00	416.00	660.00	795.00
SSB-300150	Bench Style Shower Seat 30" x 15"	3.31	21	375.00	442.00	442.00	755.00	925.00
SSB-320150	Bench Style Shower Seat 32" x 15"	3.31	22	390.00	458.00	458.00	770.00	940.00



SSB-180150-PWS



SSB-320150-SAPS

**TRANSFER SEATS**

Item #	Size	Cube	Lbs	NW NA	PW PT	HW PWS PTS	SS-A	SS-B
SSR-260225	RH L-Shape Shower Seat 26" x 22.5"	3.31	24	400.00	446.00	446.00	594.00	679.00
SSL-260225	LH L-Shape Shower Seat 26" x 22.5"	3.31	24	400.00	446.00	446.00	594.00	679.00
SSR-280225	RH L-Shape Shower Seat 28" x 22.5"	3.31	24	411.00	457.00	457.00	604.00	689.00
SSL-280225	LH L-Shape Shower Seat 28" x 22.5"	3.31	24	411.00	457.00	457.00	604.00	689.00
SSR-320225	RH L-Shape Shower Seat 32" x 22.5"	3.31	25	422.00	467.00	467.00	669.00	784.00
SSL-320225	LH L-Shape Shower Seat 32" x 22.5"	3.31	25	422.00	467.00	467.00	669.00	784.00



SSL-260225-NW



SSR-320225-PT

**REVERSIBLE TRANSFER SEATS ( PWS OR PTS ONLY)**

Item #	Size	Cube	Lbs	NW NA	PW PT	PWS PTS	SS-A	SS-B
SLR 260225	LH/RH L-Shaped Shower Seat 26" X 22.5"	3.31	24	---	---	344.00	---	---
SLR-280225	LH/RH L-Shaped Shower Seat 28" x 22.5"	3.31	24	---	---	354.00	---	---
SLR-320225	LH/RH L-Shaped Shower Seat 32" x 22.5"	3.31	25	---	---	364.00	---	---



**BENCH SEATS WITH SWING DOWN LEGS**

Item #	Size	Cube	Lbs	NW NA	PW	PT	HW	PWS PTS	SS-A	SS-B
SSB2-180150	Bench - Style Shower Seat (w/swing down legs) 18" x 15"	3.31	19	369.00	426.00		426.00		575.00	660.00
SSB2-220150	Bench - Style Shower Seat (w/swing down legs) 22" x 15"	3.31	20	401.00	452.00		452.00		655.00	765.00
SSB2-240150	Bench - Style Shower Seat (w/swing down legs) 24" x 15"	3.31	22	416.00	468.00		468.00		670.00	785.00
SSB2-280150	Bench - Style Shower Seat (w/swing down legs) 28" x 15"	3.31	26	442.00	494.00		494.00		740.00	875.00
SSB2-300150	Bench - Style Shower Seat (w/swing down legs) 30" x 15"	3.31	27	458.00	515.00		515.00		825.00	995.00
SSB2-320150	Bench - Style Shower Seat (w/swing down legs) 32" x 15"	3.31	28	473.00	536.00		536.00		845.00	1,015.00
SSB2-480240	Bench - Style Shower Seat (w/swing down legs) 48" x 24"	8.00	53	899.00	---		1,014.00		---	---



SSB2-480240-PWS



SSB2-240150-SPES

**TRANSFER SEATS WITH SWING DOWN LEGS**

Item #	Size	Cube	Lbs	NW NA	PW	PT	HW	PWS PTS	SS-A	SS-B
SSR2-260225	RH L- Shape Shower Seat ( w/swing down legs) 26" x 22.5"	3.22	26	484.00	531.00		531.00		675.00	760.00
SSL2-260225	LH L- Shape Shower Seat ( w/swing down legs) 26" x 22.5"	3.22	26	484.00	531.00		531.00		675.00	760.00
SSR2-280225	RH L- Shape Shower Seat ( w/swing down legs) 28" x 22.5"	3.22	27	494.00	541.00		541.00		685.00	770.00
SSL2-280225	LH L- Shape Shower Seat ( w/swing down legs) 28" x 22.5"	3.22	27	494.00	541.00		541.00		685.00	770.00
SSR2-320225	RH L- Shape Shower Seat ( w/swing down legs) 32" x 22.5"	3.22	28	505.00	551.00		551.00		750.00	865.00
SSL2-320225	LH L- Shape Shower Seat ( w/swing down legs) 32" x 22.5"	3.22	28	505.00	551.00		551.00		750.00	865.00



SSL2-320025-PWS



SSR2-320225-SPGS

**REVERSIBLE TRANSFER SEATS WITH SWING DOWN LEGS (PWS or PTS ONLY)**

Item #	Size	Cube	Lbs	NW NA	PW	PT	PWS PTS	SS-A	SS-B
SLR2-260225	LH/RH L-Shaped Shower Seat (w/swing down legs) 26" x 22.5"	3.22	26	---	---		425.00	---	---
SLR2-280225	LH/RH L-Shaped Shower Seat (w/swing down legs) 28" x 22.5"	3.22	27	---	---		435.00	---	---
SLR2-320225	LH/RH L-Shaped Shower Seat (w/swing down legs) 32" x 22.5"	3.22	28	---	---		445.00	---	---

**INSTITUTIONAL & BARIATRIC SEATS**

Item #	Size	Cube	Lbs	ST.ST	PW	PT	PWS PTS	SS-A	SS-B
SLDY-320225	RH Transfer seat w/ Dual Yoke + 1 piece Stainless top	3.31	32	1,262.00	---		---	---	---
SRDY-320225	LH Transfer seat w/Dual Yoke + 1 piece Stainless top	3.31	32	1,262.00	---		---	---	---
SSB3-360180	Bariatric Bench Seat w/swing down legs 36" x 18"	7.00	40	---	---		868.75	---	---



SLDY-320225-SS



SSB3-360180-PWS

THE ABOVE MODELS ARE JUST A FEW OF OUR MOST POPULAR ACCESSIBILITY SEATS. SEACHROME DESIGNS, ENGINEERS AND MANUFACTURES CUSTOM SIZES AND STYLES .....CALL FOR A QUOTATION

**ACCESSIBILITY SEATS**

**TUB SEATS**

Item #	Size	Cube	Lbs	NW NA	PW PT	PWS PTS	SS-A	SS-B
STE-320135	End-Hung Folding Tub Seat 32" x 13.5" w / SS Frame	2.13	13	306.00	390.00	---	---	---
STE-320160	End-Hung Folding Tub Seat 32" x 16" Frameless	2.20	17	---	---	306.00	---	---
STR-290165	Rear-Hung Folding Tub Seat 29" x 16.5" Frameless	2.13	16	---	---	306.00	---	---
STPA-265160	Edge - Mounted Portable Tub Seat 26.5" x 16"	2.13	14	---	---	306.00	---	---

NOTE: STE & STR FRAMELESS MODELS NOT AVAILABLE IN HW/HDPE



STE-320135-PT



STR-290165-PTS



STPA-265160-PWS

**ACCESSIBILITY SEATS - ADDITIONAL ITEMS**

Item #	Price	Price
- Powder Coat (PC) Seat Frame	\$230.00	P-GB-SS Slide/Guide Bracket for wall mount seats (w/hardware) \$19.50
- Polished Stainless (PS) Seat Frame	\$290.00	P-4C10-2 #10 x 2" Stainless Steel Grab Bar & / or Seat Screws (pack of 6) \$2.90/pk
P-2SDL-SS Standard 1" Leveling foot Stainless Steel /Black	\$5.55/ea.	
S-LSF-SS 3" Padded Leveling foot	\$25.50/ea	
<b>REPLACEMENT SEAT TOPS - BENCH SEATS</b>		<b>REPLACEMENT SEAT TOPS - TRANSFER SEATS</b>
<b>NW CUSHION</b>		<b>NW CUSHION</b>
18"-22"- 24" Wide x 15"	\$155.00	26" -28"- 32" Wide x 22.5" \$215.00
28"-30"-32" Wide x 15"	\$170.00	
<b>PWS/PTS PHENOLIC TOPS - ONE PIECE W/ SLOTS</b>		<b>PWS/PTS PHENOLIC TOPS - ONE PIECE W/SLOTS</b>
18"-22"-24" Wide x 15"	\$210.00	26" -28"- 32" Wide x 22.5" \$245.00
28"-30"-32" Wide x 15"	\$230.00	<b>CUSTOM "WAVE" SLOTS</b> \$30.00

**ACCESSIBILITY SEATS - ADDITIONAL NOTES**

SEACHROME RECOMMENDS THAT ALL ACCESSIBILITY SEATS, AS WELL AS GRAB BARS, BE INSTALLED USING 2" MINIMUM THICKNESS "IN-WALL" SOLID WOOD BACKING MATERIAL WITH #10 X 2" STAINLESS STEEL, PHILLIPS HEAD, SHEET METAL SCREWS, OR USING A WALL-IMBEDDED MINIMUM 12 GAUGE (2.8mm) STEEL ANCHOR PLATE WITH #10 X 24 STAINLESS STEEL MACHINE SCREWS.

SEACHROME ACCESSIBILITY SEATS WITH SWING DOWN LEGS (MODEL #SSB2-SSL2-SSR2-SLR2) ARE COMPATIBLE WITH WINGIT FASTENER MODEL #SCW-GBW40 (Page 4).

**CORONADO SERIES - Heavy Duty Stainless Accessories**

SS = SATIN STAINLESS FINISH  
PS = POLISHED STAINLESS

PC= POWDER COAT

WT= WHITE  
AL=ALMOND  
BI=BISCUIT  
PB = POLISHED BRASS  
BK=BLACK

WW= WHITE WRINKLE  
AW=ALMOND WRINKLE  
SN=SATIN NICKEL  
BR=BRONZE

FABRICATED OF TYPE 304, 18-8 ALLOY, STAINLESS STEEL RATED TO EXCEED 100 LB. LOAD CAPACITY WHEN PROPERLY INSTALLED.  
FIVE DECORATIVE FLANGE STYLES TO COORDINATE WITH SEACHROME GRAB BAR AND SHOWER ROD FLANGES

MADE IN THE USA

700 SERIES		SS	PS	PC
700-00	Soap Holder (w/o holes)	41.10	45.85	45.85
700-10	Toothbrush Tumbler Holder	41.10	45.85	45.85
700-13	Door Bumper	30.50	33.55	33.55
700-14	Door Bumper/Coat Hanger	33.60	36.95	36.95
700-2018	18" Towel Bar Set (3/4" Rd.)	60.70	66.90	66.90
700-2018-2	18" Double Towel Bar	76.45	82.65	82.65
700-2024	24" Towel Bar Set (3/4" Rd.)	64.70	71.10	71.10
700-2024-2	24" Double Towel Bar	80.95	87.35	87.35
700-2030	30" Towel Bar Set (3/4" Rd.)	68.90	75.60	75.60
700-2036	36" Towel Bar Set (3/4" Rd.)	74.65	81.65	81.65
700-31	Single Paper Holder	58.00	63.00	63.00
700-31-2	Double Paper Holder	79.50	86.25	86.25
700-34	"Post-Style" Single Paper Holder	70.20	75.25	75.25
700-34-2	"Post-Style" Double Paper Holder	82.30	89.00	89.00
700-35	Rectangular Toilet Paper Holder	49.00	54.05	54.05
700-40	Single Robe Hook	37.60	40.70	40.70
700-40-2	Double Robe Hook	41.45	43.40	43.40
700-46	Towel Ring	49.00	54.00	54.00
700-8018	18" Towel Shelf and Bar	89.25	97.80	97.80
700-8024	24" Towel Shelf and Bar	93.40	104.90	104.90
700-9018	18" Glass Shelf	196.25	207.75	207.75
700-9024	24" Glass Shelf	204.00	219.00	219.00
700-9124	24" Glass Shelf w/Bar	225.00	240.00	240.00

**700 Series Features:**  
 \* 3/4" round crosspiece  
 \* 1" round post  
 \* 3" round concealed flanges  
 \*available in decorative concealed flanges



700-00



700-10



700-13



700-14



700-2018



700-2018-2



700-2024



700-2024-2



700-2030



700-2036



700-31



700-31-2



700-34



700-34-2



700-35



700-40



700-40-2



700-46



700-8018



700-8024



700-9018



700-9024



700-9124

**CORONADO SERIES - Heavy Duty Stainless Accessories**

MADE IN THE USA

701 SERIES		SS	PS	PC
701-00	Soap Holder	41.10	45.85	45.85
701-10	Toothbrush Holder	41.10	45.85	45.85
701-13	Door Bumper	30.50	33.55	33.55
701-14	Door Bumper/Coat Hanger	33.60	36.95	36.95
701-2008	8" Towel Bar Set	34.10	40.15	40.15
701-2018	18" Towel Bar Set	76.80	90.35	90.35
701-2024	24" Towel Bar Set	82.65	97.20	97.20
701-2030	30" Towel Bar Set	86.55	101.85	101.85
701-2036	36" Towel Bar Set	93.80	110.30	110.30
701-33	Euro Paper Holder	70.20	75.25	75.25
701-33-2	Double Euro Holder	82.30	89.00	89.00
701-36	Vertical Paper Holder	70.20	75.25	75.25
701-40	Single Robe Hook	37.60	40.70	40.70
701-40-2	Double Robe Hook	41.45	43.40	43.40
701-46	Towel Ring	49.00	54.00	54.00
701-8024	24" Towel Shelf	83.15	96.45	96.45

**701 Series Features**  
 \*7/8" round crosspiece  
 \*7/8" round post  
 \* 3" round concealed flanges  
 \*available in decorative concealed flanges



MADE IN THE USA

702 SERIES		SS	PS	PC
702-00	Soap Holder	41.10	45.85	45.85
702-10	Toothbrush Holder	41.10	45.85	45.85
702-13	Door Bumper	30.50	33.55	33.55
702-14	Door Bumper/Coat Hanger	33.60	36.95	36.95
702-2018	18" Towel Bar Set	48.05	53.80	53.80
702-2024	24" Towel Bar Set	50.75	56.90	56.90
702-2030	30" Towel Bar Set	53.35	59.80	59.80
702-2036	36" Towel Bar Set	56.25	63.05	63.05
702-31	Single Paper Holder	41.44	43.40	43.40
702-33	Euro Paper Holder	43.65	48.90	48.90
702-33-2	DbI Euro Paper Holder	46.30	51.85	51.85
702-40	Single Robe Hook	25.75	28.80	28.80
702-46	Towel Ring	39.00	44.00	44.00
702-8018	18" Towel Shelf w/Bar	85.25	93.80	93.80
702-8024	24" Towel Shelf w/Bar	89.40	100.90	100.90
702-9018	18" Glass Shelf	196.25	207.75	207.75
702-9024	24" Glass Shelf	204.00	219.00	219.00

**702 Series Features**  
 \*7/8" round crosspiece  
 \*7/8" round post  
 \* 2-1/2" round concealed flanges  
 \*available in decorative step flanges



**CORONADO SERIES - Heavy Duty Stainless Accessories**

MADE IN THE USA

**703 SERIES**

		SS	PS	PC
703-00	Soap Holder	41.10	45.85	45.85
703-10	Toothbrush Holder	41.10	45.85	45.85
703-13	Door Bumper	30.50	33.55	33.55
703-14	Door Bumper/Coat Hanger	33.60	36.95	36.95
703-2016	16" Towel Bar Set	68.05	73.80	73.80
703-2018	18" Towel Bar Set	76.80	90.35	90.35
703-2024	24" Towel Bar Set	82.65	97.20	97.20
703-2216	16" Double Towel Bar	77.70	88.00	88.00
703-2218	18" Double Towel Bar	86.45	104.55	104.55
703-2224	24" Double Towel Bar	92.30	111.40	111.40
703-31	Single Paper Holder	47.50	56.00	56.00
703-31-2	Double Paper Holder	71.40	84.00	84.00
703-33	Euro Paper Holder	43.70	48.95	48.95
703-33-2	Euro Double Paper Holder	46.30	51.85	51.85
703-40	Single Robe Hook	36.95	43.40	43.40
703-46	Towel Ring	49.00	54.00	54.00

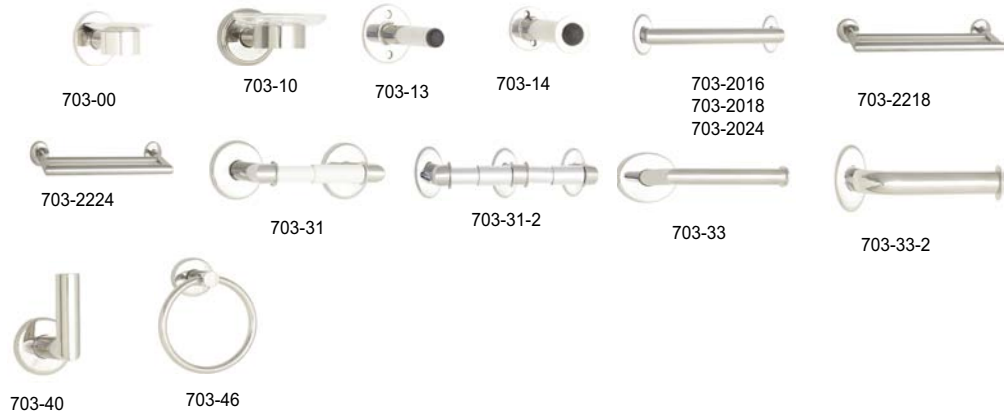
**703 Series Features**

\*7/8" round crosspiece

\*7/8" round post

\* 2-1/2" round concealed flanges

\*available in decorative step flanges



MADE IN THE USA

**708 SERIES**

		SS	PS	PC
708-00	Soap Holder	41.10	45.85	45.85
708-10	Toothbrush Holder	41.10	45.85	45.85
708-13	Door Bumper	30.50	33.55	33.55
708-14	Door Bumper/Coat Hanger	33.60	36.95	36.95
708-2016	16" Towel Bar Set	68.60	82.35	82.35
708-2018	18" Towel Bar Set	76.80	90.35	90.35
708-2024	24" Towel Bar Set	82.65	97.20	97.20
708-33	Euro Paper Holder	70.20	75.25	75.25
708-33-2	Euro Double Paper Holder	77.30	90.70	90.70
708-40	Single Robe Hook	35.60	40.65	40.65
708-46	Towel Ring	49.00	54.00	54.00

**708 Series Features**

\*7/8" round crosspiece

\*7/8" round post

\* 2-1/2" round exposed flanges



**CORONADO SERIES - Heavy Duty Stainless Accessories**

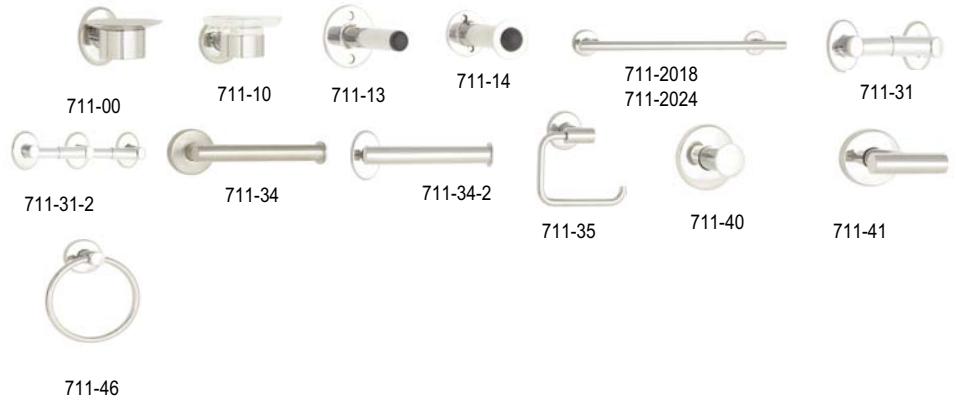
MADE IN THE USA

**711 SERIES**

		SS	PS	PC
711-00	Soap Dish Holder	41.10	45.85	45.85
711-10	Toothbrush Holder	41.10	45.85	45.85
711-13	Door Bumper	30.55	33.55	33.55
711-14	Door Bumper/Coat Hanger	33.60	36.95	36.95
711-2018	18" Towel Bar Set	76.80	90.35	90.35
711-2024	24" Towel Bar Set	82.65	97.20	97.20
711-31	Single Paper Holder	57.95	63.00	63.00
711-31-2	Double Paper Holder	79.50	86.20	86.20
711-34	Euro Paper Holder	70.20	75.25	75.25
711-34-2	Double Euro Paper Holder	82.30	89.00	89.00
711-35	Toilet Paper Holder/Towel Ring	58.50	62.50	62.50
711-40	Single Robe Hook	37.60	40.70	40.70
711-41	Double Robe Hook	41.45	43.65	43.65
711-46	Towel Ring	49.00	54.00	54.00

**711 Series Features**

- \*7/8" round crosspiece
- \*7/8 round post
- \* 2-1/2" round concealed flanges
- \*available in decorative step flanges



MADE IN THE USA

**740 SERIES**

		SS	PS	PC
740-00	Wall Mounted Soap Holder	105.30	118.70	118.70
740-2018	18" Towel Bar	215.00	244.15	244.15
740-2024	24" Towel Bar	235.20	263.20	263.20
740-33-2	Double Toilet Paper Holder	189.00	205.20	205.20
740-40	Robe Hook	82.90	88.50	88.50
740-46	Towel Ring	105.30	118.70	118.70

**740 Series Features**

- \* 1-1/4" x 1/4" crosspiece
- \* 1-1/4" x 3/4" post
- \*custom finishes and colors available



**ACCESSORIES**

		SS	PS	PC
W-SC300-0808* #304 Stainless Steel	Corner Shower Shelf w/Rail and Solid Surface Inlay	141.10	187.75	----
W-SCR1205* #304 Stainless Steel	Rectangular Sundries Shelf w/Rail and Solid Surface Inlay	172.25	216.85	----

\*DESIGNATE SOLID SURFACE MATERIAL

**CORONADO SERIES - HEAVY DUTY STAINLESS ACCESSORIES**

MADE IN THE USA

**Grab Bar Series Features**

\*304 Stainless Steel  
Welded Construction  
\*Custom finishes and colors available

QCR = 1 1/4" Bar  
HCR= 1 1/2" Bar  
SS= Satin Stainless  
PS = Polished Stainless  
PC= Powder Coat

**CORONADO GRAB BARS**

		SS	PS	PC
790-180-QCR	18" Grab Bar	88.00	104.00	104.00
790-240-QCR	24" Grab Bar	100.00	122.00	122.00
790-360-QCR	36" Grab Bar	111.00	144.00	144.00
790-420-QCR	42" Grab Bar	129.00	169.00	169.00
790-180-HCR	18" Grab Bar	100.00	115.00	115.00
790-240-HCR	24" Grab Bar	114.00	136.00	136.00
790-360-HCR	36" Grab Bar	126.00	160.00	160.00
790-420-HCR	42" Grab Bar	148.00	188.00	188.00
791-180-QCR	18" Grab Bar	110.00	130.00	130.00
791-240-QCR	24" Grab Bar	125.00	125.00	125.00
791-360-QCR	36" Grab Bar	138.00	180.00	180.00
791-420-QCR	42" Grab Bar	160.00	210.00	210.00

**OVAL SERIES GRAB BARS**

		SS	PS	PC
GSO-180-QCR	18" Oval Grab Bar - Mitred Corners	126.50	144.50	144.50
GSO-240-QCR	24" Oval Grab Bar - Mitred Corners	138.50	162.50	162.50
GSO-360-QCR	36" Oval Grab Bar - Mitred Corners	149.50	184.50	184.50
GSO-420-QCR	42" Oval Grab Bar - Mitred Corners	167.50	209.50	209.50
GSSO-180-QCR	18" Oval Grab Bar - Coronado Style	116.50	134.50	134.50
GSSO-240-QCR	24" Oval Grab Bar - Coronado Style	128.50	152.50	152.50
GSSO-360-QCR	36" Oval Grab Bar - Coronado Style	139.50	174.50	174.50
GSSO-420-QCR	42" Oval Grab Bar - Coronado Style	157.50	199.50	199.50

**SQUARE FLANGE GRAB BAR - STAINLESS STEEL**

		SS	PS	PC
GXS2-180-QSS	18" Grab Bar -Square Stainless Step Flanges	126.50	144.50	144.50
GXS2-240-QSS	24" Grab Bar -Square Stainless Step Flanges	138.50	162.50	162.50
GXS2-360-QSS	36" Grab Bar -Square Stainless Step Flanges	149.50	184.50	184.50
GXS2-420-QSS	42" Grab Bar -Square Stainless Step Flanges	167.50	209.50	209.50

**SQUARE FLANGE GRAB BAR - SOLID SURFACE**

		SS	PS	PC
GXS2-180-QS*	18" Grab Bar - Square Solid Surface Flanges	135.00	154.00	154.00
GXS2-240-QS*	24" Grab Bar - Square Solid Surface Flanges	147.00	172.00	172.00
GXS2-360-QS*	36" Grab Bar - Square Solid Surface Flanges	158.00	194.00	194.00
GXS2-420-QS*	42" Grab Bar - Square Solid Surface Flanges	176.00	218.00	218.00

\*DESIGNATE SOLID SURFACE MATERIAL

**PLATINUM GRAB BARS**

		SS	PS	PC
GSS-180-QP*	18" Grab Bar	126.65	148.25	148.25
GSS-240-QP*	24" Grab Bar	130.45	153.05	153.05
GSS-360-QP*	36" Grab Bar	138.25	162.85	162.85
GSS-420-QP*	42" Grab Bar	142.85	169.45	169.45
GSS-480-QP*	48" Grab Bar	148.45	177.05	177.05

TRADITIONAL BARS WITH HEAVY-DUTY DECORATIVE CAST STAINLESS STEEL FLANGES. CUSTOM SIZES -STYLES AND FINISHES ARE AVAILABLE

**SOLID SURFACE OPTIONS**

SAPS =Aspen Putty	SPGS=Gold
SSCS=Sanded Cream	SPCS=Copper
SPBS=Basalt	SQPS= Quarry Palisade
SPFS=Frost	STZS=Tempest Zenith
SPES=Ebony	SCBS= Coffee Bean

**PLATINUM FLANGE STYLES:\***

P1=BEVEL FLANGE
P3= HALO FLANGE
P4=TRI-STEP FLANGE
P6= HEXAGON FLANGE
P7= TAPERED FLANGE

**AMERICANA SERIES**

MADE IN THE USA

FABRICATED OF TYPE 304 STAINLESS STEEL-WELDED CONSTRUCTION  
 3" WELDED FLANGE  
 1" POST

		SS
300-33 TP	Single Toilet Paper Holder Satin Stainless	18.35
300-46 TR	Towel Ring Satin Stainless	22.70
300-2018 SS	18" Towel Bar Satin Stainless	31.65
300-2024 SS	24" Towel Bar Satin Stainless	34.35
300-2030 SS	30" Towel Bar Satin Stainless	36.70
300-40 SS	RH Robe Hook Satin Stainless	14.00



300-33



300-46



300-2018  
2024  
2030

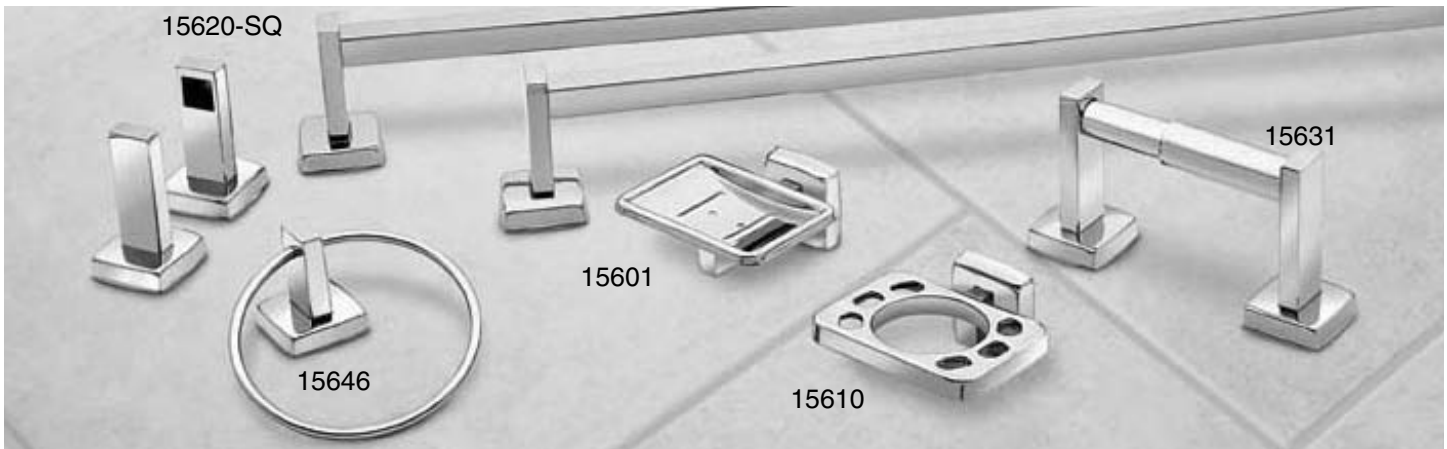


300-40

**STAINLESS STEEL ACCESSORIES**

FABRICATED OF TYPE 304, 18-8 ALLOY, STAINLESS STEEL FOR  
 HOTEL / MOTEL, HEALTHCARE, HOSPITALS, GOVERNMENT & COMMERCIAL PROJECTS

SPECIFY FINISH	
PS	Polished
SS	Satin



		QTY	Cube	Lbs	SS	PS
15600	Soap Holder (w/o drain holes)	50	1.35	20.72	11.50	12.80
15601	Soap Holder (w/drain holes)	50	1.35	20.72	11.50	12.80
15610	Toothbrush / Tumbler Holder	50	1.35	17.64	12.30	14.50
15620-18SQ	18" Towel Bar set (3/4" Sq. Bar)	100	2.41	74.10	17.30	19.65
15620-24SQ	24" Towel Bar set (3/4" Sq. Bar)	100	2.65	83.74	18.70	21.05
15620-30SQ	30" Towel Bar set (3/4" Sq. Bar)	100	2.90	88.90	20.00	22.45
15620-36SQ	36" Towel Bar set (3/4" Sq. Bar)	100	3.14	100.10	21.70	24.20
15620-18RD	18" Towel Bar set (3/4" Rd. Bar)	100	2.41	67.81	17.30	19.65
15620-24RD	24" Towel Bar set (3/4" Rd. Bar)	100	2.65	74.73	18.70	21.05
15620-30RD	30" Towel Bar set (3/4" Rd. Bar)	100	2.90	81.37	20.00	22.45
15620-36RD	36" Towel Bar set (3/4" Rd. Bar)	100	3.14	94.09	21.40	23.70
15631	Single Paper Holder (white roller)	60	1.60	34.40	15.70	18.40
15631-2	Double Paper Holder (white roller)	40	1.55	33.95	27.30	31.40
15640	Single Robe Hook	50	0.40	11.00	6.80	7.80
15641	Double Robe Hook	50	0.67	14.77	7.80	9.15
15642	Towel Pin	50	0.85	15.90	8.65	10.35
15643	Hat and Robe Hook	50	0.85	23.40	19.15	23.05
15646	Towel Ring	50	1.62	22.00	12.20	14.30
15910-24	24" Towel Shelf w/Bar	20	3.30	40.80	48.65	52.10



**SHOWER RODS - FLANGES - SHOWER CURTAINS - CURTAIN RINGS**



Aluminum Shower Rods 1" OD X .025" Wall		Size	PS	PC
SRA-36.000		36" Straight	4.95	---
SRA-60.000		60" Straight	5.55	---
SRA-72.000		72" Straight	8.20	---
#400 Stainless Steel Shower Rods 1" OD X .015" Wall		Size	PS	PC
SRS-60.000		60" Straight	15.50	---
#304 Stainless Steel Shower Rods 1" OD X .036" (20 ga) Wall		Size	PS	PC
SR20-36.000		36" Straight	15.45	30.95
SR20-48.000		48" Straight	18.55	35.55
SR20-60.000		60" Straight	23.15	41.75
SR20-72.000		72" Straight	30.90	47.90
*SR20-C60.000		60" Curved ( use # SRF-550 or # SRF-551 flanges)	34.15	75.50
*SR20-C72.000		72" Curved ( use # SRF-550 or # SRF-551 flanges)	40.70	81.35
#304 Stainless Steel Shower Rods 1" OD X .049" (18 ga) Wall		Size	PS	PC
SR18-36.000		36" Straight	21.00	36.50
SR18-48.000		48" Straight	25.20	42.20
SR18-60.000		60" Straight	31.50	50.10
SR18-72.000		72" Straight	41.85	60.45
SR18-L6036		60"x 36" L-Shape rod w welded concealed flanges ( use # SR-CSJ24 Ceiling Support)	115.45	150.10
SR18-L7236		72"x 36" L-Shape rod w welded concealed flanges ( use # SR-CSJ24 Ceiling Support)	120.30	156.40
Shower Rod Flanges for 1" Dia. Rods		Size	PS	PC
SRF-500		Concealed Flange & Hanger, 2 1/2" Dia, #400 Stainless	2.90	5.75
SRF-500-E		Exposed Screw, 2 3/8" dia, Chrome Plated Zamac	2.75	---
SRF-500-MD		Exposed Screw, 2 1/4" dia, Chrome Plated Zamac	3.50	---
SRF-501		Adjustable Jiffy-On, Polished Aluminum Finish	3.90	---
SRF-501C-BB		Adjustable Jiffy-On, Polished Brass Plated Plastic	2.10	2.10
SRF-501C		Adjustable Jiffy-On, Chrome Plated Plastic	1.40	1.40
SR-CSJ24		Ceiling Support (for 1" L-shaped rod) 24" hanger w J Hook	27.25	42.10
SRF-510		Exposed Flange, 22ga x 1/2" deep Stainless Steel, 3" DIA.	7.75	12.50
SRF-514		Concealed Flange, 22ga Snap-On Cover, 3" DIA.	15.00	21.75
*SRF-550		Pivoting Flange (for 1" curved rod) - Chrome Plated	21.25	---
*SRF-551		Fixed Flange (for 1" curved rod) - #304 Stainless	21.25	27.50
#304 Stainless Steel Shower Rods 1-1/4" OD x .049" (18ga) Wall		Size	PS	PC
SR18Q-36.000		36" Straight	26.55	42.10
SR18Q-48.000		48" Straight	31.85	48.85
SR18Q-60.000		60" Straight	39.85	58.45
SR18Q-72.000		72" Straight	48.80	67.40
Shower Rod Flanges for 1-1/4" Dia. Rods		Size	PS	PC
SRF-511		Exposed Flange, 22 ga. x 1/2" deep Stainless Steel, 3" dia.	7.75	12.50
SRF-515		Concealed Flange, 22 ga. Snap-On cover, 3" dia.	15.50	21.75
Shower Curtains (Heavy Duty 0.010" White Vinyl)				
SHC-H04872-WU		Heavy-Duty 48" x 72" White Curtain w/ Brass / Nickel Grommets on 6" Centers	---	26.35
SHC-H07272-WU		Heavy-Duty 72" x 72" White Curtain w/ Brass / Nickel Grommets on 6" Centers	---	33.75
Shower Curtain Rings				
SRC-100-MT		Curtain Rings, Nickel Plated (ea.)	---	0.66
SRC-100-SS		Curtain Rings, Stainless Steel (ea.)	---	0.95

CALL FOR PRICE & AVAILABILITY ON CUSTOM SIZES

CAL SERIES - COMMERCIAL ACCESSORIES - HOTEL MOTEL



SCAL-112



SCAL-122



SCAL-124



SCAL-126



SCAL-128-4



SCAL-128-6



SCAL-130  
SCAL-130R



SCAL-157



SCAL-159



SCAL-162



SCAL-169  
SCAL-169-R



SCAL-170



SCAL-188



SCAL-188R



SCAL-189



SCAL-194

## CAL SERIES - COMMERCIAL ACCESSORIES - HOTEL MOTEL

PART#	DESCRIPTION	DETAIL	Comparables	Qty	---- Case ----		List Price
					Cube	Lbs	
SCAL-112	WALL-MOUNT DUAL TOILET TISSUE DISPENSER	CAST ALUMINUM / PAINT COLOR-SILVER NO WASTE - ROCKING ACTION PLASTIC SPINDLES OVERALL : 13" WIDE X 1 3/4" HIGH X 4 3/8" DEEP CAPACITY : 2 STANDARD ROLLS TOILET TISSUE	#2740 - BOB #5241- BRAD #0264-1 ASI	21	1.80	12#	43.55
SCAL-122	WALL-MOUNT LIQUID SOAP DISPENSER	#304 SATIN STAINLESS STEEL OVERALL : 7 1/4" W X 6 3/4" H X 3 3/4" D CAPACITY : 50 OUNCES	#4112 #----- #-----	12	1.80	9#	57.90
SCAL-124	HORIZONTAL WALL-MOUNT LIQUID SOAP DISPENSER	#304 SATIN STAINLESS STEEL OVERALL : 8 1/4" W X 4 3/4" H X 3 3/4" D CAPACITY : 40 OUNCES	#2112 #6562 #0345	24	2.90	17#	43.60
SCAL-126	VERTICAL WALL-MOUNT LIQUID SOAP DISPENSER	#304 SATIN STAINLESS STEEL OVERALL : 4 3/4" W X 8 1/4" H X 3 3/4" D CAPACITY : 40 OUNCES	#2111 #6542 #0347	24	2.90	17#	43.60
SCAL-128-4	DECK-MOUNT LIQUID SOAP DISPENSER	#304 SATIN STAINLESS STEEL SPOUT & UPPER ASSEMBLY 4" DISPENSING ARM - BRITE FINISH CAPACITY : 32 OUNCE POLYETHYLENE CONTAINER	#8221-4 #6324 #0332-4	24	2.80	12#	40.60
SCAL-128-6	DECK-MOUNT LIQUID SOAP DISPENSER	#304 SATIN STAINLESS STEEL SPOUT & UPPER ASSEMBLY 6" DISPENSING ARM - BRITE FINISH CAPACITY : 32 OUNCE POLYETHYLENE CONTAINER	#8221-6 #6326 #0332-6	24	3.90	12#	41.75
SCAL-130	LOCKING WALL-MOUNT TOILET SEAT COVER DISPENSER	#304 SATIN STAINLESS STEEL OVERALL : 15 3/4" W X 11 1/2" H X 2" D CAPACITY : 500 SINGLE OR HALF FOLD SEAT COVERS	#221 #583 #4775M	12	3.50	14.5#	36.25
SCAL-130R	LOCKING RECESSED TOILET SEAT COVER DISPENSER	#304 SATIN STAINLESS STEEL OVERALL : 17 1/4" W X 12 3/4" H X 3" D WALL OPENING: 15 9/16" W X 11 1/4" H X 2 9/16" D CAPACITY : 500 SINGLE OR HALF FOLD SEAT COVERS	#3013 #584 #0477R	4	2.60	12.5#	115.00
SCAL-157	LOCKING PARTITION MOUNT COMBO / TOILET SEAT COVER DISPENSER SANITARY NAPKIN DISPOSAL TOILET TISSUE DISPENSER	#304 SATIN STAINLESS STEEL OVERALL : 17 1/4" W X 32 3/4" H X 4 1/4" D WALL OPENING: 15 3/4" W X 31 3/16" H X 4" D CAPACITY : 500 SEAT COVERS, 2 ROLLS TOILET TISSUE	#357 #5912 #481	1	2.40	9#	435.00
SCAL-159	LOCKING RECESSED PAPER TOWEL DISPENSER	#304 SATIN STAINLESS STEEL OVERALL : 13" W X 17 1/4" H X 4 1/4" D WALL OPENING: 11" W X 15 3/4" H X 4" D CAPACITY : 350 C-FOLD / 475 MULTI-FOLD PAPER TOWELS	#35903 #2442 #452	4	3.10	21#	265.00
SCAL-162	LOCKING WALL-MOUNT PAPER TOWEL DISPENSER	#304 SATIN STAINLESS STEEL OVERALL : 11 1/4" W X 14 1/2" H X 4 1/8" D CAPACITY : 400 C-FOLD / 525 MULTI-FOLD PAPER TOWELS	#262 #250-15 #210	6	2.90	13#	50.25
SCAL-169	LOCKING WALL-MOUNT PAPER TOWEL DISPENSER / WASTE RECEPTACLE	#304 SATIN STAINLESS STEEL BODY W/ SURFACE MOUNT FRAME OVERALL : 14" W X 28" H X 4" D CAPACITY : 350 C-FOLD / 475 MULTI-FOLD PAPER TOWELS 2 GALLON RECEPTACLE	#369-9 #229 #462-9	1	1.90	5.5#	324.00
SCAL-169R	LOCKING RECESSED PAPER TOWEL DISPENSER / WASTE RECEPTACLE	#304 SATIN STAINLESS STEEL OVERALL : 14" W X 28" H X 4" D WALL OPENING: 12" W X 26" H X 3 13/16" D CAPACITY : 350 C-FOLD / 475 MULTI-FOLD PAPER TOWELS 2 GALLON RECEPTACLE	#369 #229 #462	1	1.90	5.5#	252.00
SCAL-170	SURFACE MOUNT SANITARY NAPKIN DISPOSAL	#304 SATIN STAINLESS STEEL OVERALL : 8" W X 11" H X 4" D CAPACITY : 1 GALLON RECEPTACLE	#270 #4781-15 #852	12	3.00	18#	39.90
SCAL-188	LOCKING SURFACE MOUNT DUAL ROLL TOILET TISSUE DISPENSER	#304 SATIN STAINLESS STEEL / 2 PLASTIC ROLLERS AUTO DROP DOWN OVERALL : 6 1/4" W X 11" H X 5 3/4" D CAPACITY : 2 STANDARD ROLLS TOILET TISSUE	#2888 #5402 #9030	12	3.80	23.5#	85.50
SCAL-188R	LOCKING RECESSED DUAL ROLL TOILET TISSUE DISPENSER	#304 SATIN STAINLESS STEEL / 2 PLASTIC ROLLERS AUTO DROP DOWN OVERALL : 7 5/8" W X 12 1/2" H X 5 3/4" D WALL OPENING: 6 1/8" W X 11" H X 3 1/4" D CAPACITY : 2 STANDARD ROLLS TOILET TISSUE	#3888 #5412 #9031	12	5.60	26#	103.00
SCAL-189	LOCKING SURFACE MOUNT DUAL ROLL TOILET TISSUE DISPENSER	#304 SATIN STAINLESS STEEL / PLASTIC THEFT- PROOF SPINDLES OVERALL : 6" W X 10 3/4" H X 6 1/8" D CAPACITY : 2 STANDARD ROLLS TOILET TISSUE	#---- #5402 #9030	12	3.80	23.5#	70.00
SCAL-194	LOCKING RECESSED PAPER TOWEL DISPENSER / WASTE RECEPTACLE	#304 SATIN STAINLESS STEEL OVERALL : 17 1/4" W X 56" H X 8 3/4" D WALL OPENING: 15 1/4" W X 54" H X 4 1/4" D CAPACITY : 600 C-FOLD / 800 MULTI-FOLD PAPER TOWELS 12 GALLON RECEPTACLE	#3944 #2252 #469	1	6.30	16#	395.00

FOR ADDITIONAL COMMERCIAL ACCESSORY PRODUCTS, SEE  
MISCELLANEOUS HOTEL / MOTEL ACCESSORIES ON PAGE 20

**COMMERCIAL - HOTEL / MOTEL ACCESSORIES**

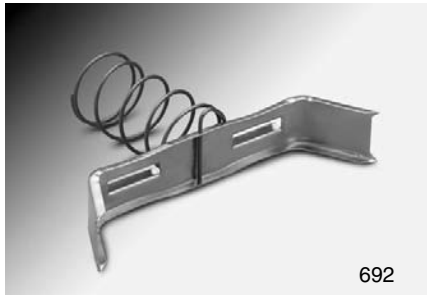
CONSULT FACTORY FOR ADDITIONAL ITEMS NOT SHOWN



		---- Case ----			List
		Qty	Cube	Lbs	Price
<b>MISCELLANEOUS</b>					
15820-18-PS	18" Heavy Duty Towel Shelf w/bar - #304 Stainless -Heliarc Welded	1	---	8	104.75
15820-24-PS	24" Heavy-Duty Towel Shelf w/bar - #304 Stainless- Heliarc Welded	1	---	10	115.75
15840-30-SS	Coat Rack with Shelf # 304 Stainless - 30" Wide x 8" Tall x 12" Deep	1	---	15	249.95
SCA-U811	Classic Single Paper Holder w lock 2-3/4" x 6" x 4 1/4"	48	2.45	---	17.15
SCA-U8112	Classic Double Paper Holder w lock 2-3/4" x 12 1/4 x 4 1/4"	24	2.60	---	32.80
SCA-U813	Premier Single Paper Holder - Concealed Hinge 5 1/2" x 2 3/4" x 4 1/4"	1	0.04	2	32.80
SCA-U814	Premier Double Paper Holder - Concealed Hinge 10 1/2" x 2 3/4" x 4 1/4"	1	0.07	4	45.65
SCM-RR120CH	Liquid Soap Dispenser - Wall Mount - Chrome w/plastic globe 6 1/2" x 3 7/8" x 5 3/16"	24	1.97	12	8.91
SCM-R5506HD	Retractable Clothesline - Stainless	60	1.32	34	17.82
SCM-R5519	24" Towel Shelf w/bar and support brackets - Chrome brackets w / stainless rods	10	5.42	31	41.25
SCM-R5520NC	Recessed Tissue Box - No Cover Wall Opening 10 1/2" x 5" x 2 1/4"	24	2.28	23	9.90
SCM-R5520SS	Recessed Tissue Box - with Cover Stainless - Wall Opening 10-1/2" x 5" x 2-1/4"	25	2.94	53	21.75
SCM-5571	Extra Roll recessed Paper Holder - Chrome Trim Wall Opening 5 1/4" sq. x 4" deep	20	3.65	23	16.50
SCM-5577	Double Recessed Paper Holder - Chrome Roller Wall Opening 11 3/8" x 5 1/4" x 1 1/2"	20	4.47	44	45.71
SCM-5580	Double Surface Paper Holder - Chrome Roller - Chrome brackets on aluminum plate	24	2.28	31	26.08

**RECESSED FIXTURES**

NOTE : PRICES DO NOT INCLUDE MOUNTING CLAMP  
SEE BELOW FOR MOUNTING CLAMP PRICES



692



**STANDARD SIZE: 6-1/4" SQ. x 2" DEEP (Wall Opening: 5-1/4" Sq.)**

#304 Stainless Steel		Qty	Case Cube	Lbs	List Price
660L-SS	Soap or Tumbler Holder (w/ metal lip) Polished Stainless	40	3.60	30	21.15
681-SS	Paper Holder (White Roller) Polished Stainless	40	4.47	33	18.15
682-SS	Paper Holder (Chrome Roller) Polished Stainless	10	0.98	12	19.80
681-2-SS	Double Paper Holder (White Roller) Polished Stainless	18	1.75	42	39.00
682-2-SS	Double Paper Holder (Chrome Roller) Polished Stainless	18	1.75	44	41.00

**SHALLOW SIZE: 6-1/4" SQ. x 1-1/2" DEEP (Wall Opening: 5-1/4" Sq.)**

#304 Stainless Steel		Qty	Case Cube	Lbs	List Price
3660-SS	Soap or Tumbler Holder (w/ plastic tray) Polished Stainless	10	---	9	16.10
3660L-SS	Soap or Tumbler Holder (w/ metal lip) Polished Stainless	40	---	20	18.45

**INSTALLATION CLAMP**

		Qty	Case Cube	Lbs	List Price
692	Mounting Clamp w/ retention spring	---	---	---	3.15

**RESTROOM SIGNS**

PRICES SUBJECT TO CHANGE



SBH12U



SBH12M



SBH12W



SB440



SB441



SB442



SB443



SB444



SB445

<b>RESTROOM</b>	<b>SB447</b>
<b>MEN</b>	<b>SB448</b>
<b>WOMEN</b>	<b>SB449</b>

STANDARD COLOR IS BLUE

ALL SIGNS WITH GRAIDE 2 BRAILLE

METAL & SPECIAL COLORS ARE AVAILABLE BY SPECIAL ORDER

		List Price
<b>1/4" Polystyrene with raised letters &amp; Grade 2 Braille</b>		
SBH12U	"RESTROOM" & universal symbol - 12" Round	32.15
SBH12M	"MEN" & universal symbol - 12" Triangle	27.15
SBH12W	"WOMEN" & universal symbol - 12" Round	27.15
SB440	"WOMEN" & universal symbol - 8" Square	27.15
SB441	"MEN" & universal symbol - 8" Square	27.15
SB442	"RESTROOM" & universal symbol - 8" Square	27.15
SB443	"WOMEN" & Accesability symbol - 8" Square	27.15
SB444	"RESTROOM" & Accessibility symbol - 8" Square	27.15
SB445	"MEN" & Accessibility symbol - 8" Square	27.15
SB447	"RESTROOM" text only - 1-3/4" x 8" overall - 5/8" letters	12.85
SB448	"MEN" text only - 1-3/4" x 8" overall - 5/8" letters	12.85
SB449	"WOMEN" text only - 1-3/4" x 8" overall - 5/8" letters	12.85

# MIRRORS

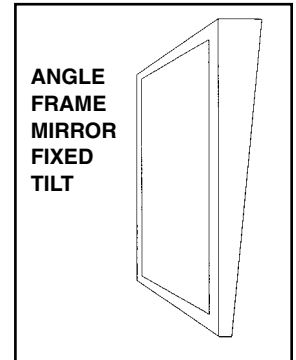
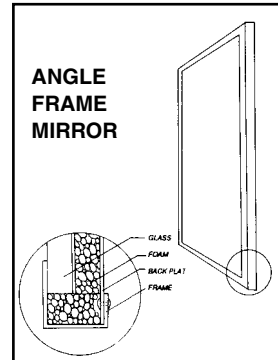
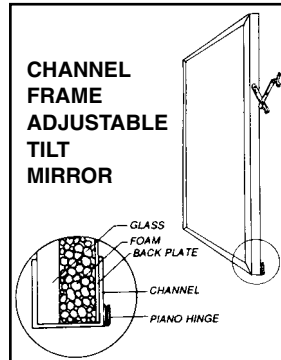
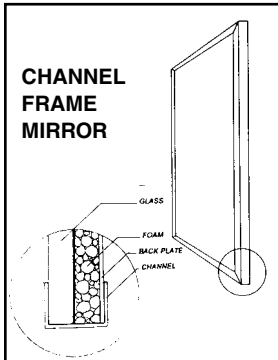
CONSULT FACTORY FOR ADDITIONAL ITEMS NOT SHOWN

Style "E" = #400 Stainless Steel Frame

PRICES SUBJECT TO CHANGE

All mirrors meet Fed. Spec. #DDM-411

Grade 1 = Angle Frame  
Grade 2 = Channel Frame



----- Case -----  
Qty      Cube      Lbs      List Price

Channel Frame Mirrors		Qty	Case	Lbs	List Price
W-M100-1824	18" x 24" overall	1	---	12	73.05
W-M100-1830	18" x 30" overall	1	---	15	83.35
W-M100-1836	18" x 36" overall	1	---	25	96.50
W-M100-2424	24" x 24" overall	1	---	17	90.00
W-M100-2430	24" x 30" overall	1	---	22	100.00
W-M100-2436	24" x 36" overall	1	---	28	114.45
Channel Frame Mirrors - Adjustable Tilt		Qty	Case	Lbs	List Price
W-M190T-1824	18" x 24" overall	1	---	15	146.45
W-M190T-1830	18" x 30" overall	1	---	18	156.90
W-M190T-1836	18" x 36" overall	1	---	29	173.80
W-M190T-2430	24" x 30" overall	1	---	25	177.90
W-M190T-2436	24" x 36" overall	1	---	32	194.80
Angle Frame Mirrors		Qty	Case	Lbs	List Price
W-M900-1824	18" x 24" overall	1	---	13	140.00
W-M900-1830	18" x 30" overall	1	---	17	158.35
W-M900-1836	18" x 36" overall	1	---	29	178.30
W-M900-2424	24" x 24" overall	1	---	20	166.40
W-M900-2430	24" x 30" overall	1	---	25	185.00
W-M900-2436	24" x 36" overall	1	---	34	206.60
Angle Frame Mirrors - Fixed Tilt		Qty	Case	Lbs	List Price
W-M990-1824	18" x 24" overall	1	---	18	199.00
W-M990-1830	18" x 30" overall	1	---	22	262.00
W-M990-1836	18" x 36" overall	1	---	32	283.00
W-M990-2430	24" x 30" overall	1	---	29	293.40
W-M990-2436	24" x 36" overall	1	---	35	304.00

# MEDICINE CABINETS

CONSULT FACTORY FOR STYLES & SIZES NOT SHOWN

PRICES SUBJECT TO CHANGE

**MINIMUM ORDER QUANTITY - 10 UNITS**

White Powder Coated Steel Cabinet - #400 Stainless Steel Frame		Qty	Case	Lbs	List Price
WC-468-BCBP2	16" x 26" Recessed Medicine Cabinet, 3 adjustable Plastic shelves	2	2.70	12	89.90
WC-452-SM	16" x 22" Surface Mount Medicine Cabinet, 3 adjustable plastic shelves	2	2.40	12	256.50
WC-461-P24CH	18" x 26" Recessed Medicine Cabinet - Reversible - 3 Adjustable Glass Shelves - Meets Federal Spec.	1	3.50	15	320.30
White Polyethylene Cabinet - #400 Stainless Frame		Qty	Case	Lbs	List Price
WC-781045	16" x 26" Recessed Medicine Cabinet, 3 Fixed Plastic Shelves	1	2.80	12	59.25
WC-781021	16" x 22" Recessed Medicine Cabinet, 3 Fixed Plastic Shelves	1	2.50	12	53.50
WC-62-1-26-01	16" x 26" Recessed Medicine Cabinet, 6 split shelves	1	2.80	15	53.20
WC-62-1-26-01SM	16" x 26" Surface Mount Medicine Cabinet, 6 split shelves	1	3.20	19	116.35

## TERMS AND CONDITIONS

### PAYMENT

NET 30 DAYS. All accounts, payable in U.S. funds, are due within 30 days after delivery of goods to Buyer or any common or contract carrier, whichever occurs first. Payment by check, draft, or any other mode other than cash is conditional and for Buyer's convenience and is not deemed payment until cash or solvent credit is received and accepted by Seachrome.

### FREIGHT TERMS

All orders F.O.B. Gardena, CA. Shipments consigned outside the continental U.S. will be shipped to the nearest U.S. port. Prepaid freight terms may vary on a product-by-product basis. Please call the factory for freight terms on your particular order

### MINIMUM ORDER

Net orders under \$100.00 will be subject to a service charge of \$25.00.

### ORDER REQUIREMENTS

All telephone orders must be confirmed in writing. Seachrome will not assume errors in telephone orders unless written or faxed confirmation is received.

### RETURNS

Returns will be accepted only with written authorization. A 30% restocking charge shall be assessed on all returns. A Return Goods Authorization (RGA) number must accompany all returned goods. All returned goods are to be shipped to Seachrome prepaid.

### CLAIMS

Claims for shortage, loss, or damage in transit must be submitted within 48 hours of delivery.

### LIMITED WARRANTY

All Seachrome products will be replaced within one year of shipment if defective in workmanship or material. Seachrome will not be liable for any labor, damage or other expense of any kind incurred in connection with the sale or use of Seachrome products. There is no warranty as to the durability of finishes.

### PRODUCT CARE

The durability of finishes can be preserved by cleaning only with a wet soft cloth or ammonia cleaner; No chlorine cleaners or abrasives. No guarantee is given as to custom finish items.

### ADJUSTMENTS AND BUYER REMEDIES

All claims for defective workmanship or material must be made within 30 days after claim arises and must be in writing. Seachrome excludes any warranty of fitness for a particular purpose. Buyer's exclusive remedy for the furnishing of materials not conforming to any contract shall be at Seachrome's option to secure the replacement thereof or payment of the claim, which shall not exceed the price of the sale in respect of which such claim is made. In no event shall Seachrome be liable for any special, indirect, incidental or consequential damages.

### DELAYS

Every order is accepted subject to, and Seller is excused for a delay in performance caused by, accidents, strikes, riots, labor stoppage, car shortage, climatic conditions, unavoidable casualties, or other causes interfering, obstructing or blocking the usual routes of transportation, whether similar or dissimilar to those mentioned above, and no claim for loss or damages shall be allowed Buyer in consequence thereof. Seller may rescind any order without liability after acceptance for any of said causes.

### CANCELLATIONS

Orders shall not be cancelled except upon mutual agreement.

### RIGHT TO REFUSE TO MAKE SHIPMENT

Seller may, at any time, decline to make any shipment or delivery or perform any work except upon receipt of full cash payment.

### CREDIT POLICY

Accounts not paid by the due date will be charged an administrative late charge at the rate of one and one-half percent (1-1/2%) per month, applied against the previous balance after deducting payments and credits received prior to the due date. Buyer acknowledges that Seachrome will incur losses not easily ascertainable in advance in the event of late payment by Buyer, and Buyer agrees to pay such late fee in order to compensate Seachrome for such damages as it may sustain. If it is necessary to employ an attorney or incur any other cost to collect this account, Buyer shall pay all fees and costs in addition to any amounts due hereunder. Should any portion of Buyer's account become past due, Seachrome shall have the right to declare all invoices due and payable.

Our Commitment To Your Success. . .

Seachrome owes much of its success to the enduring personal relationships we've created with our customers. For over 50 years, we've proven our commitment to your success by providing world-class manufacturing with the highest quality standards, along with unparalleled customer service in ADA bath accessories to the OEM, hospitality, institutional, and assisted-living markets.

Our all-American approach to innovation in design and excellence in service and production means our work exceeds the standards set for bath products that serve special health needs. And our expertise in the guidelines set by the Americans with Disabilities Act is incorporated into our entire Signature line of grab bars and accessibility seats...assuring safety and security with our "Made in the USA" pride in every product we manufacture.

We see ourselves as an extension of your company - as your partner in business. Everything we do is focused on providing personalized service to every customer...starting with careful attention to detail in concept and design on custom products, through tooling and production, to on-time delivery with every order. In a world where everyone is constantly striving to be better...Seachrome is dedicated to being the best.

Thank you to all our loyal customers for your partnership.



Chris Pulone  
President

# SEACHROME

SEACHROME CORPORATION  
344 WEST 157TH STREET  
GARDENA, CALIFORNIA 90248  
TEL: (310) 354-1220 FAX (800) 444-3380  
TOLL FREE  
1-800-955-2476  
WWW.SEACHROME.COM