

# SEACHROME

Seachrome Corporation  
1906 East Dominguez Street  
Long Beach, California 90810  
Phone: (800) 955-2476  
Fax: (800) 444-3380

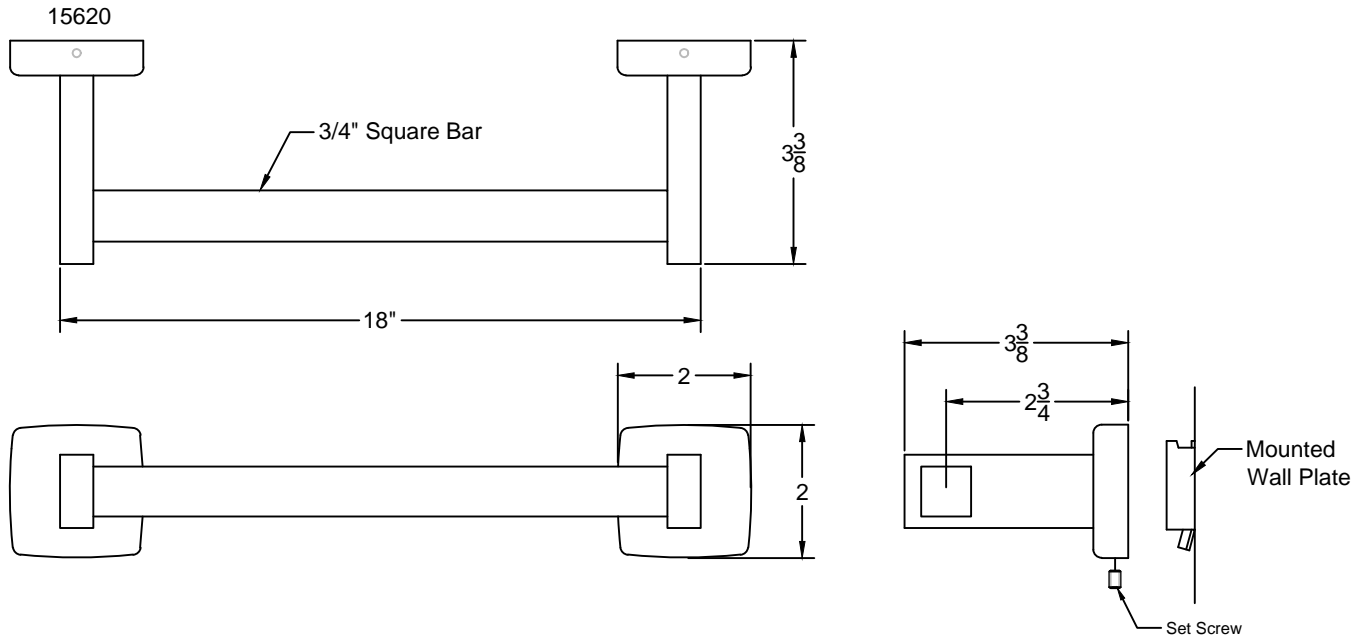
Description:

## 15620-18SQ Towel Bar Set 3/4" Square

Customer:

Customer Part #

12-19-2012



### Specifications:

All Accessories are fabricated of Type 304 Stainless Steel, available with either Satin or Polished Finish. Concealed mounting bracket is secured to a stainless steel wall plate by a stainless steel set screw.

FLANGE: 2" x 2" flange 22 ga. Stainless Steel.

POST: 22 ga. Stainless Steel.

WALL PLATE: 18 ga. concealed wall plate. The set screw secures the wall plate and flange.

15620-18SQ: 18" Towel Bar Set (3/4" Square)

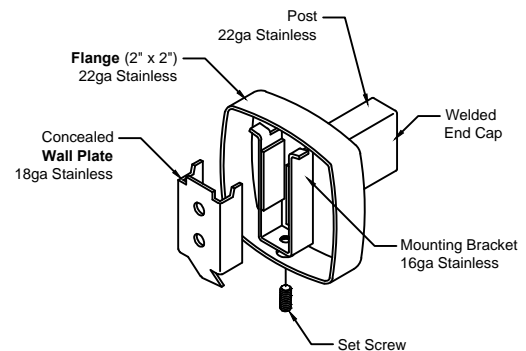
Overall Size: 2" High x 3-3/8" Deep

FINISH: Add Suffix -PS for Polished Stainless Finish or -SS for Satin Stainless Finish.

### Installation:

Place Wall Plate in desired location on wall and mark the location of the mounting holes. Drill pilot holes and secure to wall using the proper fasteners.

Place the Flange over the Wall Plate and secure with provided set screw (see drawing below).



Wall Mounting Detail