

# SEACHROME

SEACHROME CORPORATION

Phone: (800) 955-2476

Fax: (800) 444-3380

www.seachrome.com

Description:

## SCAL-128-6

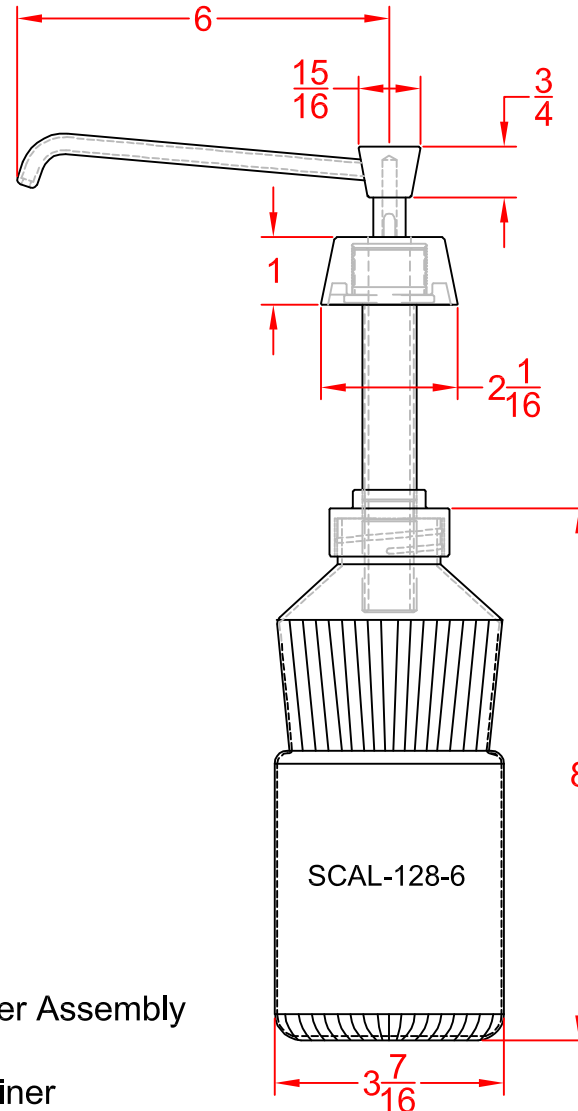
### Deck-Mount Liquid Soap Dispenser

Customer:

Customer Part #

05-29-2012

This drawing and the information contained herein is proprietary to Seachrome Corp. and shall not be reproduced, copied or disclosed in whole, or part, or used for manufacturing or for any other purpose without the written permission of Seachrome Corporation.



#304 Satin Stainless Steel Spout & Upper Assembly  
6" Dispensing Arm - Bright Finish  
Capacity: 32 Ounce Polyethylene Container

# SEACHROME

SEACHROME CORPORATION

Phone: (800) 955-2476

Fax: (800) 444-3380

www.seachrome.com

Description:

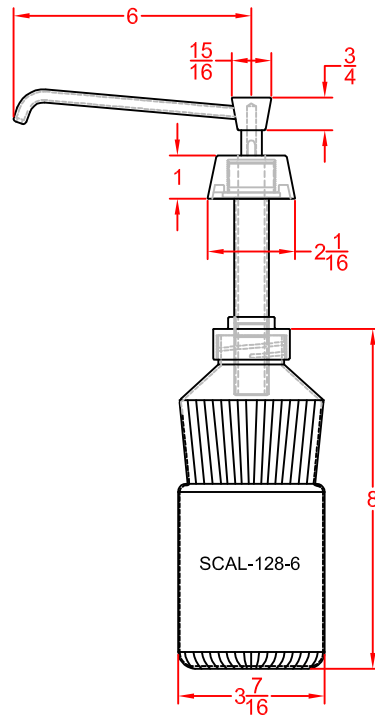
## SCAL-128-6

### Deck-Mount Liquid Soap Dispenser

Customer:

Customer Part #

05-29-2012



## Specifications:

### DETAILS:

Lavatory Mounted Liquid Soap dispenser manufactured of stainless steel, chrome plated brass and molded ABS plastic. This unit will dispense vegetable or coconut oil liquid soaps and antiseptic solutions in liquid form.

PLUNGER & SPOUT: Stainless Steel

ESCUTCHEON: Heavy Chrome Plated Brass

PLASTIC GLOBE: Translucent Polyethylene

OPERATION: Depress piston for measured amount of liquid soap. Requires less than 5lbs. force to activate plunger

OVERALL SIZE: 6" Dispensing Arm and 4-3/4" Shank

CAPACITY: 32 Ounce Polyethylene Container.

This drawing and the information contained herein is proprietary to Seachrome Corp. and shall not be reproduced, copied or disclosed in whole, or part, or used for manufacturing or for any other purpose without the written permission of Seachrome Corporation.

## Installation:

Provide an area on mounting surface at desired or specified location. Mount the dispenser in a 1" diameter hole in a lavatory or counter top.

