

# SEACHROME

Seachrome Corporation  
 1906 East Dominguez Street  
 Long Beach, California 90810  
 Phone: (800) 955-2476  
 Fax: (800) 444-3380

**Description:**

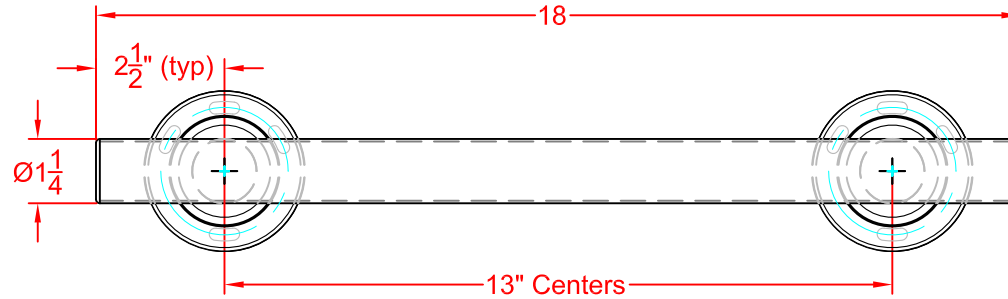
**CORONADO SERIES**  
**Straight Grab Bar w/ 13" Centers**  
**(18" Overall, Both Ends Straight)**  
**Polished Stainless Finish**

**Customer:**

Seachrome Part #  
**790-180-QCR-PS**

07-08-2015

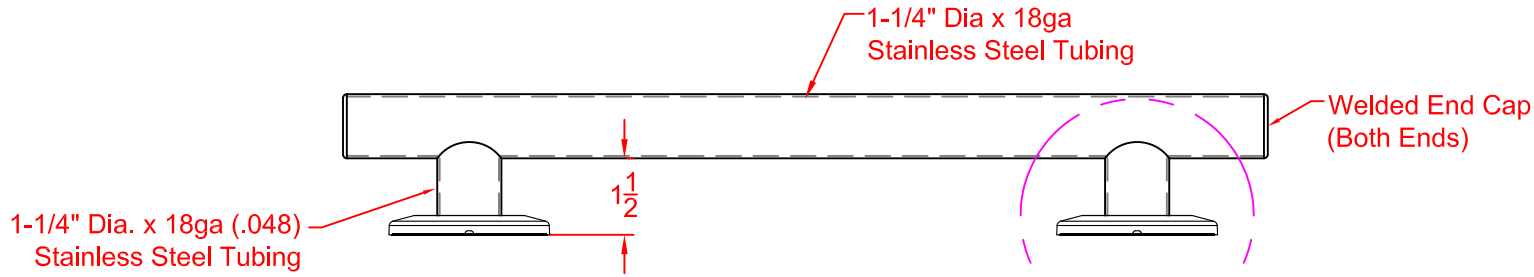
This drawing and the information contained herein is proprietary to Seachrome Corp. and shall not be reproduced, copied or disclosed in whole, or part, or used for manufacturing or for any other purpose without the written permission of Seachrome Corporation.



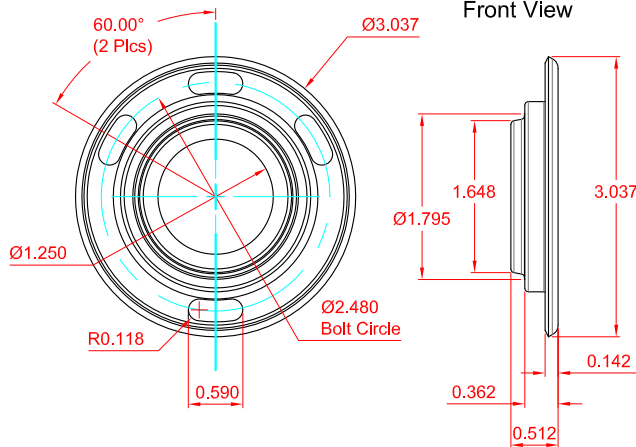
Top View

**MATERIALS**

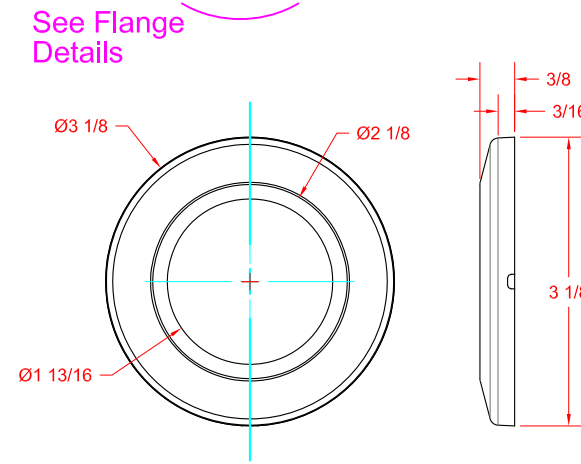
1-1/4" Dia. x 18ga. Stainless Steel Tubing.  
 Post: 1-1/4" Dia. x 18ga. Stainless Steel.  
 Mounting Flange: 3" Dia., 14ga. Stainless Steel.  
 Concealed Snap-On Cover: 22ga. Stainless Steel.



Front View



**IFSS-CER-FLANGE**  
 Detail



**ICSS-CCR-COVER**  
 Detail

# SEACHROME

Seachrome Corporation  
1906 East Dominguez Street  
Long Beach, California 90810  
Phone: (800) 955-2476  
Fax: (800) 444-3380

Description:

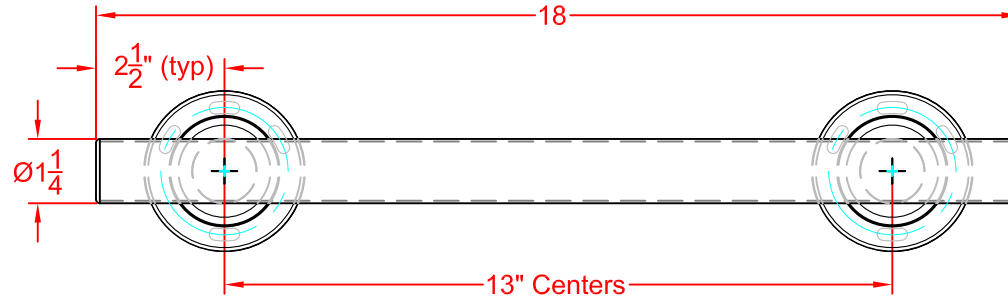
**CORONADO SERIES**  
**Straight Grab Bar w/ 13" Centers**  
**(18" Overall, Both Ends Straight)**  
**Satin Stainless Finish**

Customer:

Seachrome Part #  
**790-180-QCR-SS**

04-13-2015

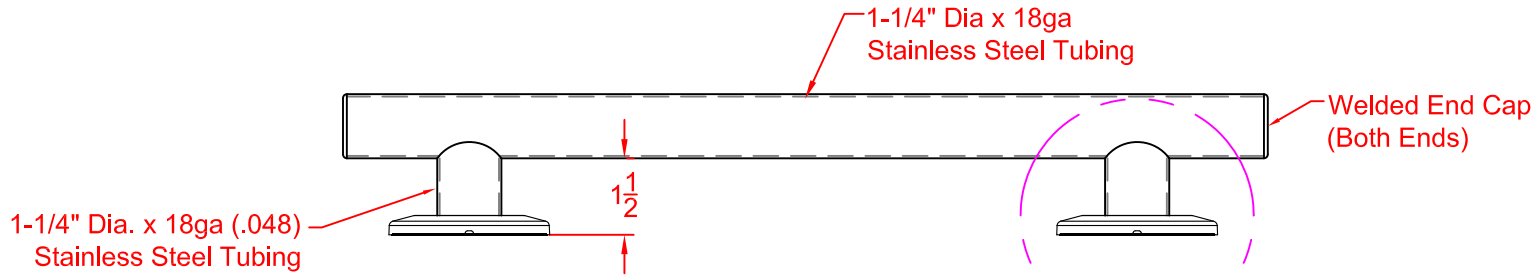
This drawing and the information contained herein is proprietary to Seachrome Corp. and shall not be reproduced, copied or disclosed in whole, or part, or used for manufacturing or for any other purpose without the written permission of Seachrome Corporation.



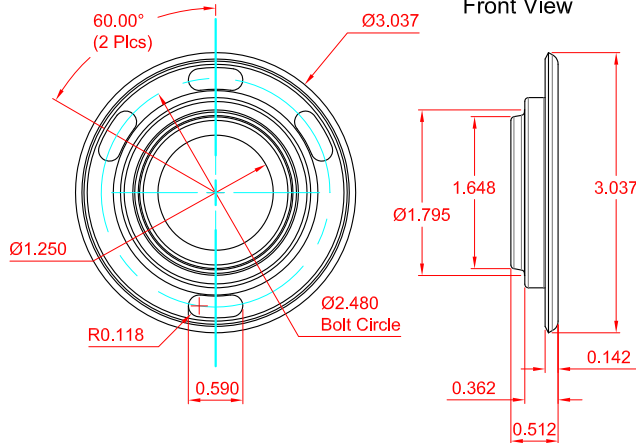
Top View

### MATERIALS

1-1/4" Dia. x 18ga. Stainless Steel Tubing.  
Post: 1-1/4" Dia. x 18ga. Stainless Steel.  
Mounting Flange: 3" Dia., 14ga. Stainless Steel.  
Concealed Snap-On Cover: 22ga. Stainless Steel.

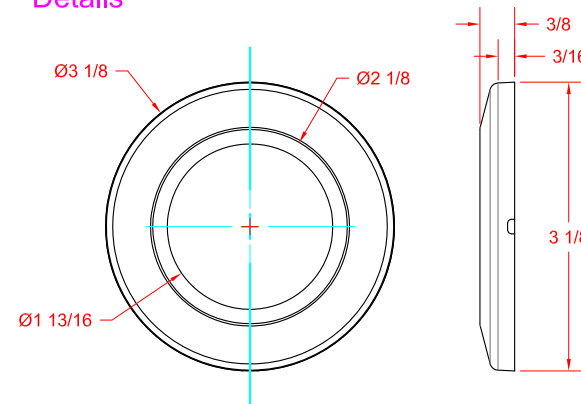


Front View



IFSS-CER-FLANGE  
Detail

See Flange  
Details



ICSS-CCR-COVER  
Detail