

SEACHROME

Seachrome Corporation
1906 East Dominguez Street
Long Beach, California 90810
Phone: (800) 955-2476
Fax: (800) 444-3380

Description:

CORONADO SERIES DOUBLE PAPER HOLDER

Customer:

Customer Part #

711-31-2

12-17-2012

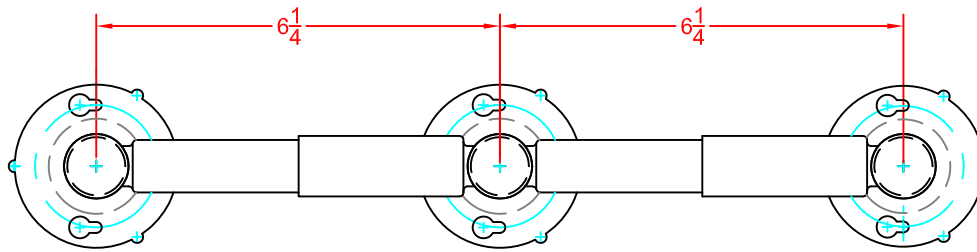
This drawing and the information contained herein is proprietary to Seachrome Corp. and shall not be reproduced, copied or disclosed in whole, or part, or used for manufacturing or for any other purpose without the written permission of Seachrome Corporation.

MATERIALS

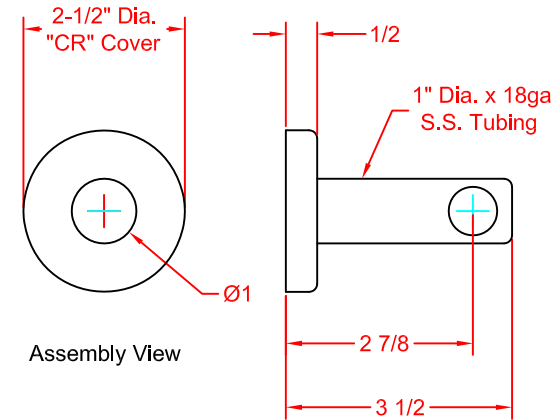
Mounting Flange: 2-1/2" Dia., 14ga. Stainless Steel.

Post: 1" Dia., 18ga. Stainless Steel.

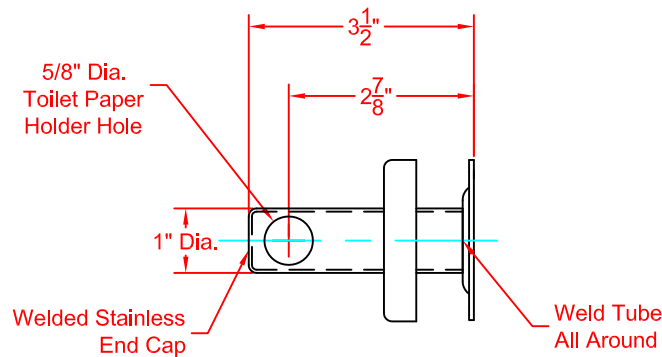
Concealed Friction Cover: 22ga. Stainless Steel.



Double Toilet Paper Holder



Assembly View



Side Post Detail

