

SEACHROME

SEACHROME CORPORATION

Phone: (800) 955-2476

Fax: (800) 444-3380

www.seachrome.com

Description:

CORONADO SERIES 18" GLASS SHELF

Customer:

Customer Part #

702-9018

06-01-2012

This drawing and the information contained herein is proprietary to Seachrome Corp. and shall not be reproduced, copied or disclosed in whole, or part, or used for manufacturing or for any other purpose without the written permission of Seachrome Corporation.

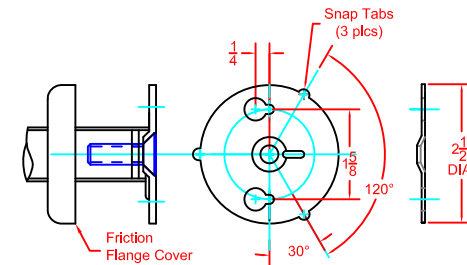
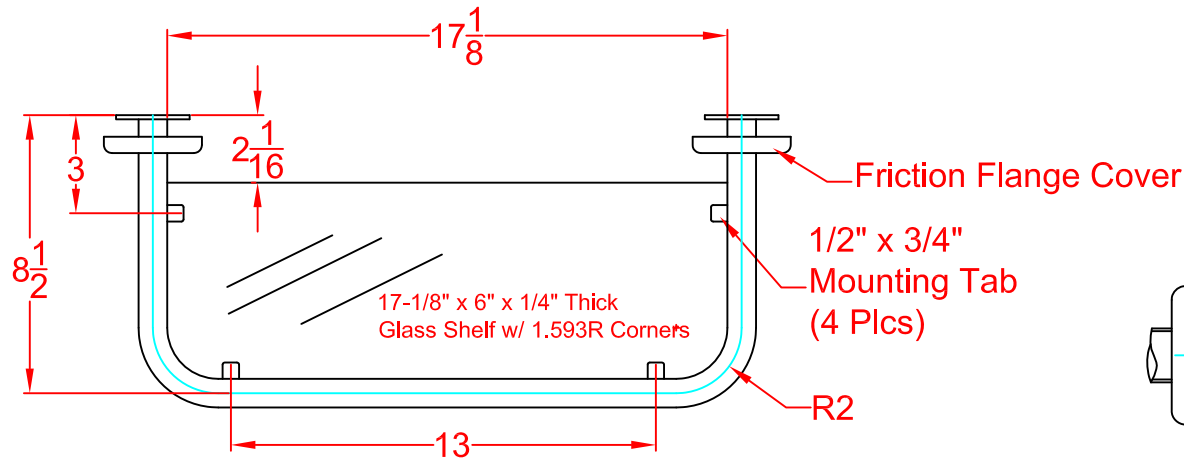
MATERIALS

Mounting Flange: 2-1/2" Dia., 14ga. Stainless Steel.

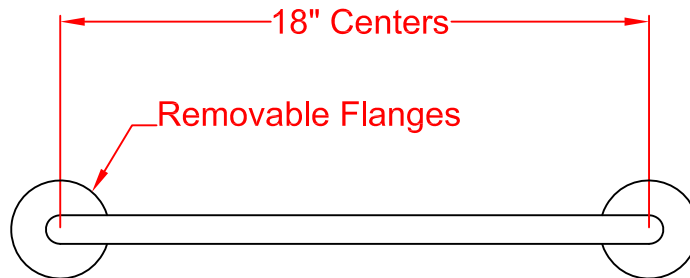
Post: 7/8" Dia., 18ga. Stainless Steel.

Concealed Friction Cover: 22ga. Stainless Steel.

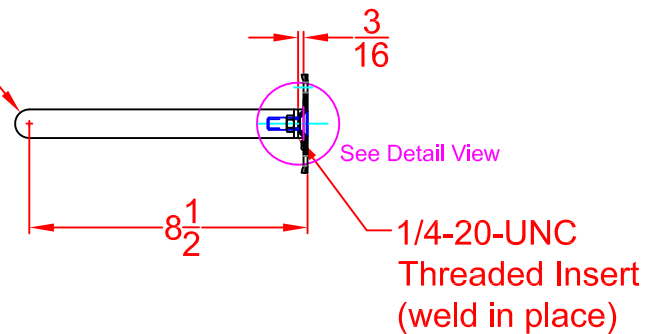
Glass/Shelf Frame 7/8" Dia x 18ga. Stainless Steel



Mounting Flange Detail



7/8" Dia. x 18ga. Round Tubing



SEACHROME

SEACHROME CORPORATION

Phone: (800) 955-2476

Fax: (800) 444-3380

www.seachrome.com

Description:

CORONADO SERIES
17-1/8" x 6" x 1/4" Thick
Glass Shelf

Customer:

Customer Part #

702-9018-GLASS

06-01-2012

