

# SEACHROME

SEACHROME CORPORATION

Phone: (800) 955-2476

Fax: (800) 444-3380

www.seachrome.com

Description:

## CORONADO SERIES 18" TOWEL SHELF WITH BAR

Customer:

Customer Part #

702-8018

06-01-2012

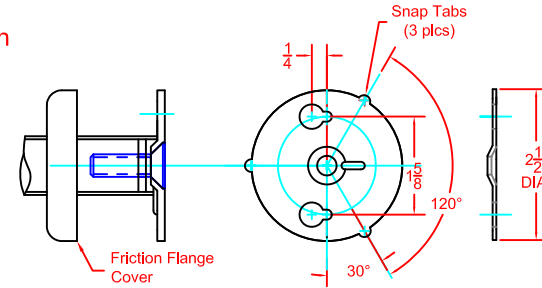
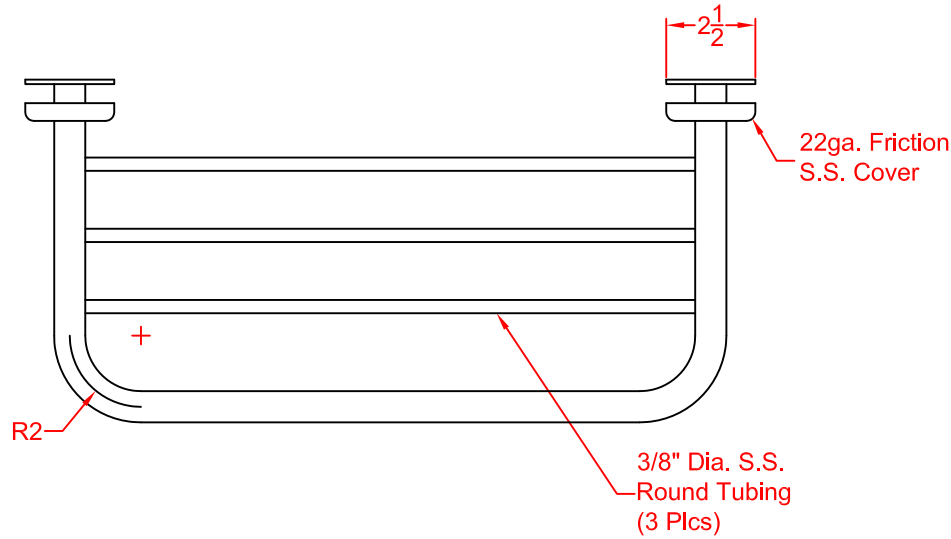
This drawing and the information contained herein is proprietary to Seachrome Corp. and shall not be reproduced, copied or disclosed in whole, or part, or used for manufacturing or for any other purpose without the written permission of Seachrome Corporation.

### MATERIALS

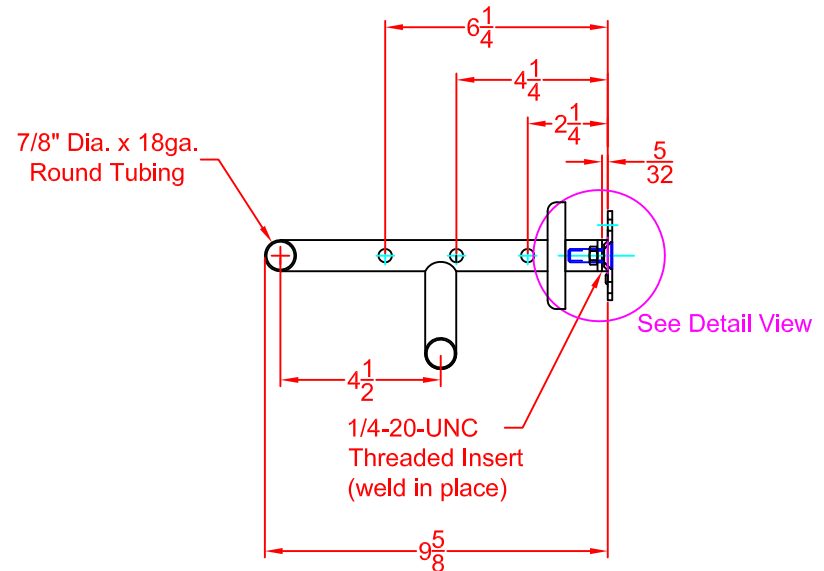
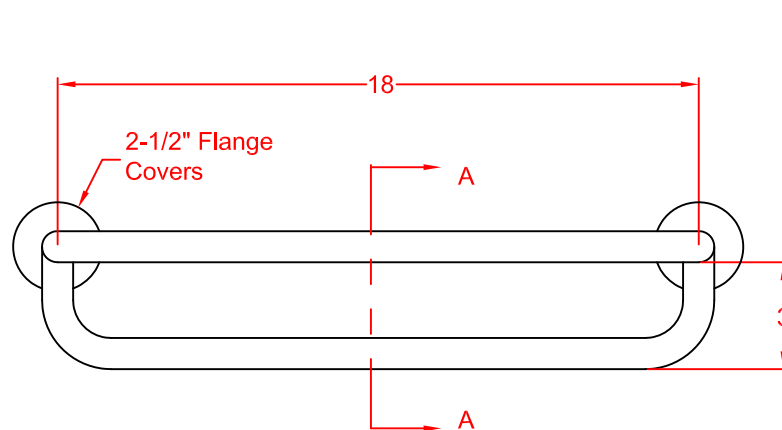
Mounting Flange: 2-1/2" Dia., 14ga. Stainless Steel.

Post: 7/8" Dia., 18ga. Stainless Steel.

Concealed Friction Cover: 22ga. Stainless Steel.



Mounting Flange Detail



Section A-A