

SEACHROME

SEACHROME CORPORATION

Phone: (800) 955-2476

Fax: (800) 444-3380

www.seachrome.com

Description:

CORONADO SERIES VERTICAL PAPER HOLDER

Customer:

Customer Part #

701-36

06-06-2012

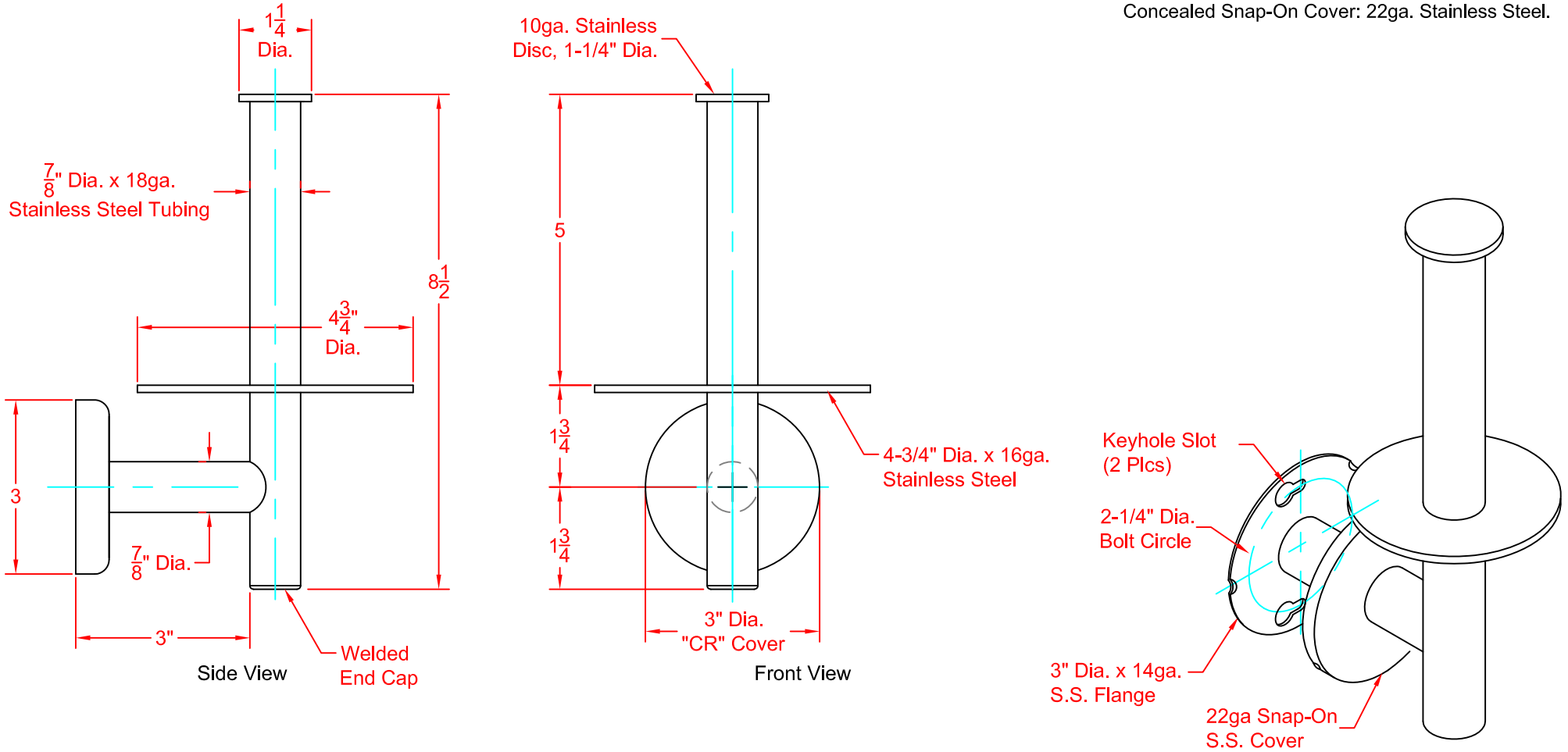
This drawing and the information contained herein is proprietary to Seachrome Corp. and shall not be reproduced, copied or disclosed in whole, or part, or used for manufacturing or for any other purpose without the written permission of Seachrome Corporation.

MATERIALS

Mounting Flange: 3" Dia., 14ga. Stainless Steel.

Post: 7/8" Dia., 18ga. Stainless Steel.

Concealed Snap-On Cover: 22ga. Stainless Steel.



Mounting Flange Detail