

SEACHROME

SEACHROME CORPORATION

Phone: (800) 955-2476

Fax: (800) 444-3380

www.seachrome.com

Description:

CORONADO SERIES SOAP DISH

Customer:

Customer Part #

701-00

06-21-2012

This drawing and the information contained herein is proprietary to Seachrome Corp. and shall not be reproduced, copied or disclosed in whole, or part, or used for manufacturing or for any other purpose without the written permission of Seachrome Corporation.

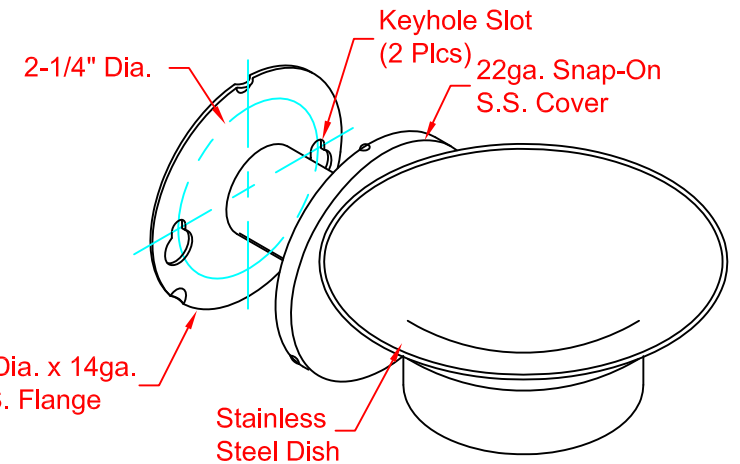
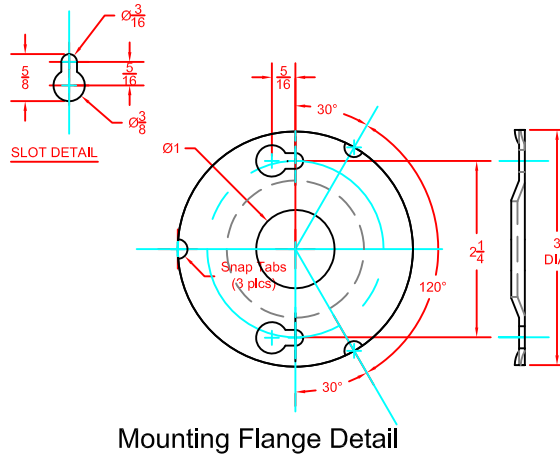
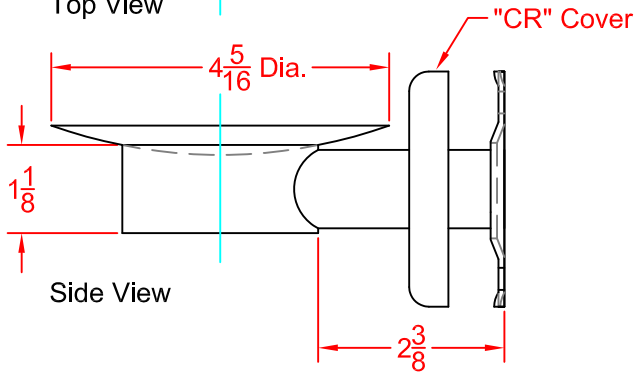
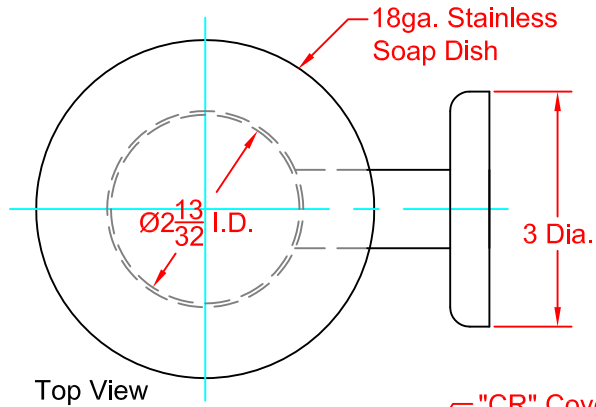
MATERIALS

Mounting Flange: 3" Dia., 14ga. Stainless Steel

Post: 1" Dia., 18ga. Stainless Steel

Concealed Snap-On Cover: 22ga. Stainless Steel

(Select type of cover when ordering)



COVER STYLES



CR1 PLAIN DESIGN



CR2 ROPE DESIGN



CR3 RIDGE DESIGN



CR4 STEP DESIGN



CR5 BAND DESIGN