

SEACHROME

Seachrome Corporation
 1906 East Dominguez Street
 Long Beach, California 90810
 Phone: (800) 955-2476
 Fax: (800) 444-3380

Description:

CORONADO SERIES DOUBLE PAPER HOLDER

Customer:

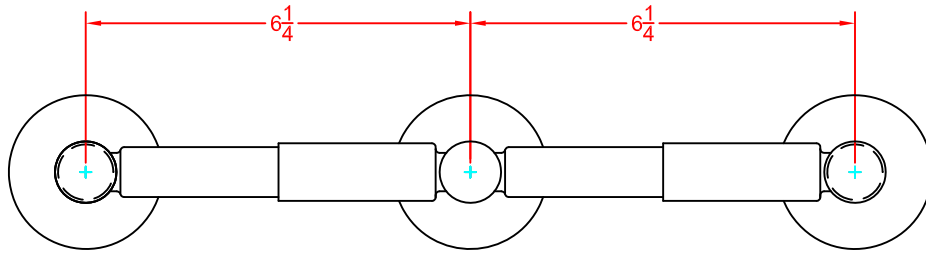
Customer Part #
700-31-2

06-18-2015

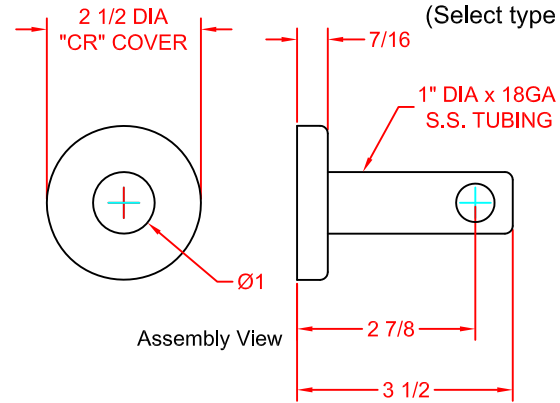
This drawing and the information contained herein is proprietary to Seachrome Corp. and shall not be reproduced, copied or disclosed in whole, or part, or used for manufacturing or for any other purpose without the written permission of Seachrome Corporation.

MATERIALS

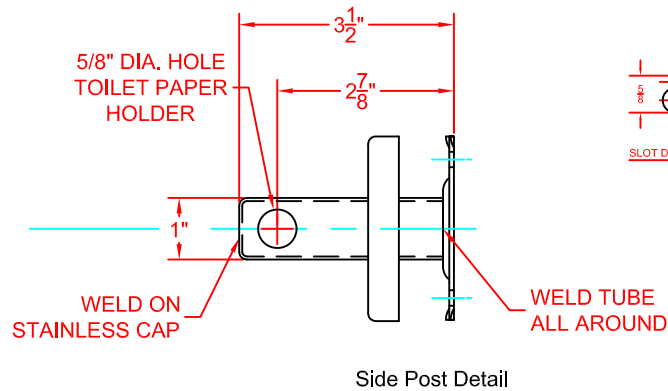
Mounting Flange: 2-1/2" Dia., 14ga. Stainless Steel.
 Post: 1" Dia., 18ga. Stainless Steel.
 Concealed Snap-On Cover: 22ga. Stainless Steel.
 (Select type of cover when ordering).



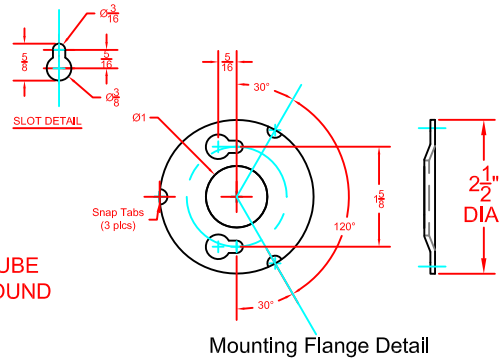
DOUBLE TOILET PAPER HOLDER



Assembly View



Side Post Detail



Mounting Flange Detail

COVER STYLES



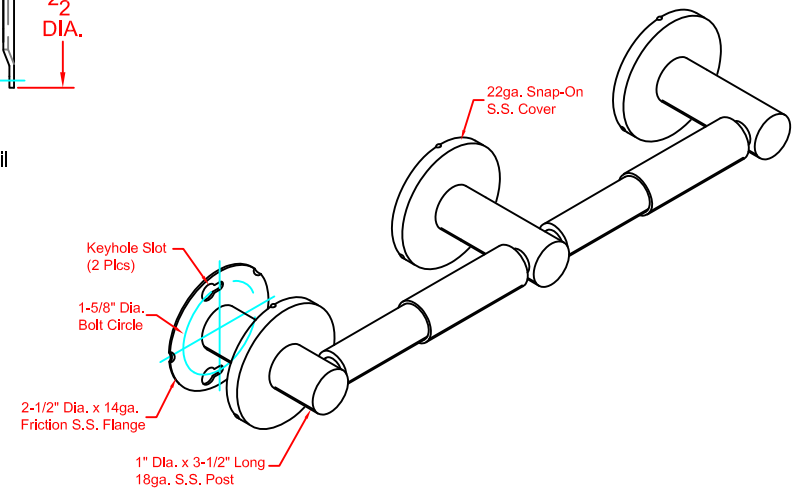
CR1 PLAIN DESIGN

CR2 ROPE DESIGN

CR3 RIDGE DESIGN

CR4 STEP DESIGN

CR5 BAND DESIGN



Keyhole Slot
 (2 Pkcs)

1-5/8" Dia.
 Bolt Circle

2-1/2" Dia. x 14ga.
 Friction S.S. Flange

1" Dia. x 3-1/2" Long
 18ga. S.S. Post

22ga. Snap-On
 S.S. Cover