

SEACHROME

Seachrome Corporation
 1906 East Dominguez Street
 Long Beach, California 90810
 Phone: (800) 955-2476
 Fax: (800) 444-3380

Description:

CORONADO SERIES SOAP HOLDER

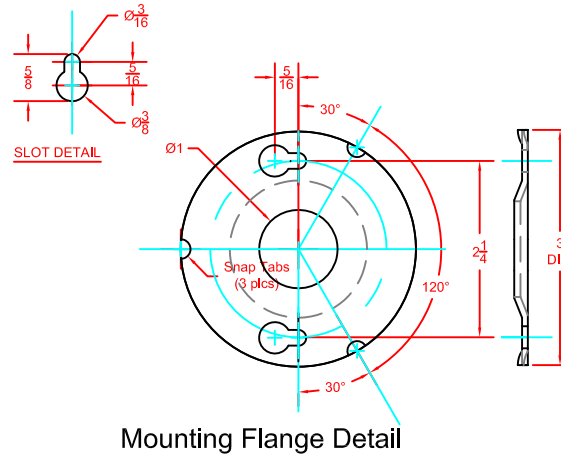
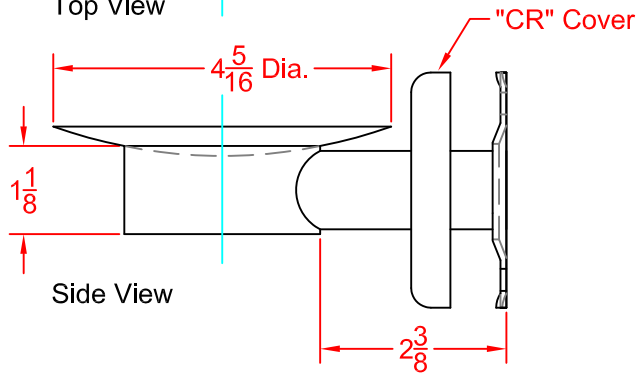
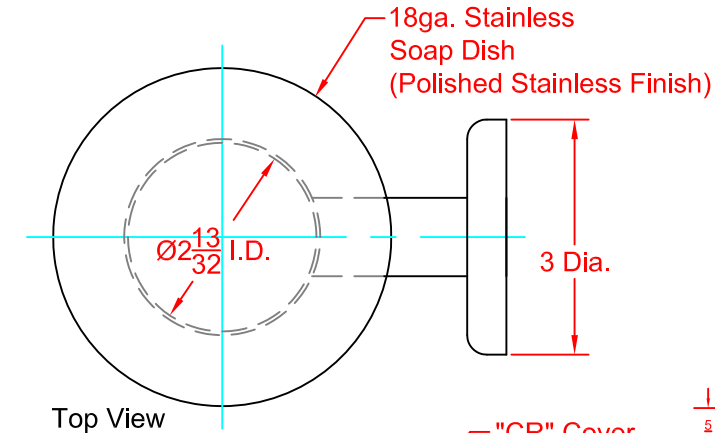
Customer:

Customer Part #

700-00-PS

01-05-2015

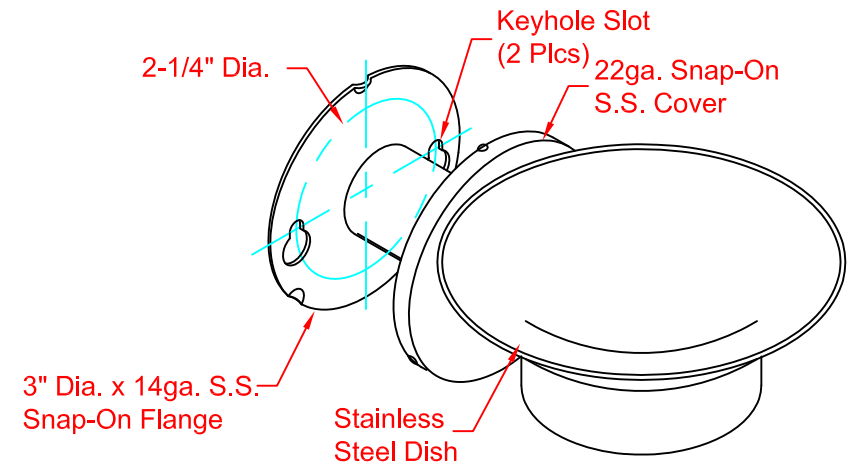
This drawing and the information contained herein is proprietary to Seachrome Corp. and shall not be reproduced, copied or disclosed in whole, or part, or used for manufacturing or for any other purpose without the written permission of Seachrome Corporation.



MATERIALS

Mounting Flange: 3" Dia., 14ga. Stainless Steel.
 Post: 1" Dia., 18ga. Polished Stainless Steel.
 Concealed Snap-On Cover: 22ga. Polished Stainless Steel.
 (Select type of cover when ordering).

COVER STYLES



SEACHROME

Seachrome Corporation
 1906 East Dominguez Street
 Long Beach, California 90810
 Phone: (800) 955-2476
 Fax: (800) 444-3380

Description:

CORONADO SERIES SOAP HOLDER

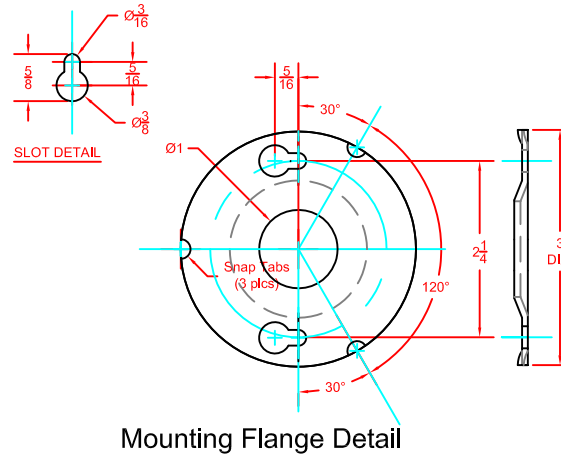
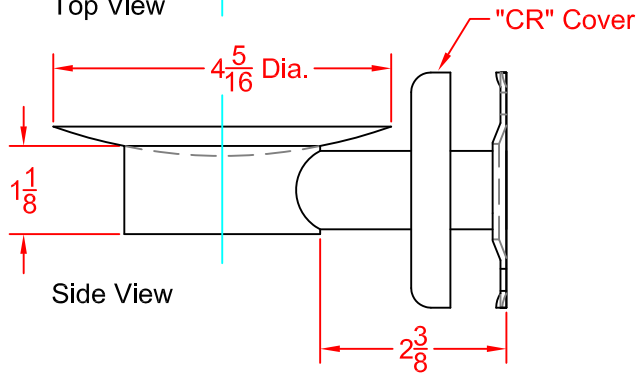
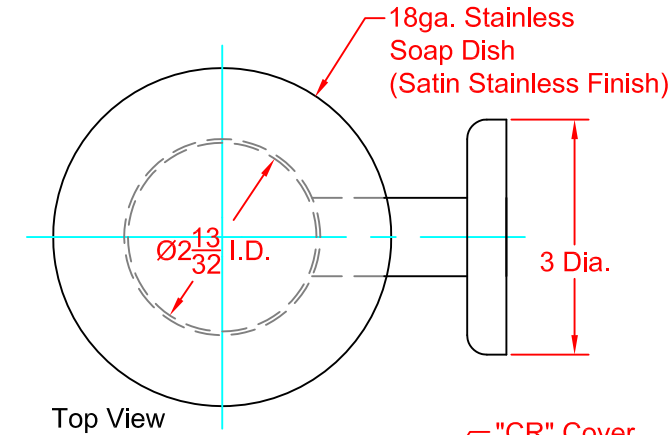
Customer:

Customer Part #

700-00-SS

01-05-2015

This drawing and the information contained herein is proprietary to Seachrome Corp. and shall not be reproduced, copied or disclosed in whole, or part, or used for manufacturing or for any other purpose without the written permission of Seachrome Corporation.



MATERIALS

Mounting Flange: 3" Dia., 14ga. Stainless Steel.
 Post: 1" Dia., 18ga. Satin Stainless Steel.
 Concealed Snap-On Cover: 22ga. Satin Stainless Steel.
 (Select type of cover when ordering).

COVER STYLES



CR1 PLAIN DESIGN



CR2 ROPE DESIGN



CR3 RIDGE DESIGN



CR4 STEP DESIGN



CR5 BAND DESIGN

